



**GLASSLINE**

Planning manual

**BALARDO *steel***

Frameless glass balustrade

## BALARDO *steel* – The original

The first, modular frameless glass balustrade made of steel with high application flexibility for elevated floor structures, uneven substrates and ETICS bridges.

- ✓ **1 support profile and 2 glass fitting systems:  
Wedge system and rod system**
- ✓ **13 connection systems for bolting or welding to the top and side of the building structure.**
- ✓ **Quick and easy fitting**
- ✓ **For private and public construction projects**
- ✓ **Up to 1.0 kN/m top rail load (for higher top rail loads, BALARDO *hybrid* and *core hd* are recommended)**
- ✓ **Glass panes up to 6,000 mm wide and 1,400 mm high**
- ✓ **Laminated safety glass (LG) structures 2 x 8 mm and 2 x 10 mm with PVB 1.52 mm**
- ✓ **For indoor and outdoor areas**
- ✓ **For levels and stairs**



With European  
Technical Assessment (ETA)



CE marking



With general  
building authority  
test certificate  
(AbP)



With type-tested  
structural analysis



LGA tested  
safety



Also used in  
sports complexes  
Ball-proof.



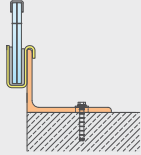
DIN 18008-4  
tested

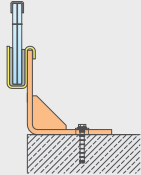


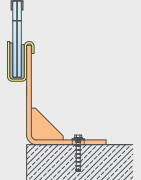
# Table of Contents

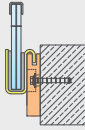
4	Wedge system assembly set
5	Rod system assembly set
6	Connection
7	Filler panes
8	13 systems for different floor structures up to 260 mm

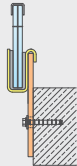
	<b>System 1</b>	Master plan	10–13
		Structural connection element and trim set	
		Application examples	
		Profiles for on-site structural cladding	

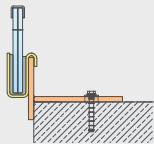
	<b>System 2.A</b>		14–17

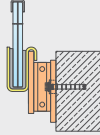
	<b>System 2.B</b>		18–21

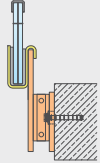
	<b>System 2.C</b>		22–25

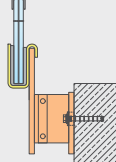
	<b>System 3</b>		26–29

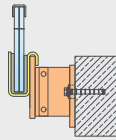
	<b>System 4</b>		30–33

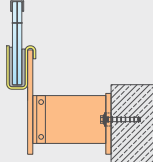
	<b>System 5</b>		34–37

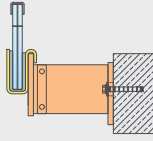
<b>System 6</b>		38–41

<b>System 7</b>		42–45

<b>System 8</b>		46–49

<b>System 9</b>		50–53

<b>System 10</b>		54–57

<b>System 11</b>		58–61

62	Proposed solutions
64	Application and calculation tables
66	Level area system dimensions
68	Stair system dimensions
70	Glass construction / application
72	Handrails
80	Accessories
82	Splice plates
84	Structural cladding
88	Wedge system assembly instructions
90	Rod system assembly instructions
92	Other BALARDO systems
94	Enquiry form

### Wedge system

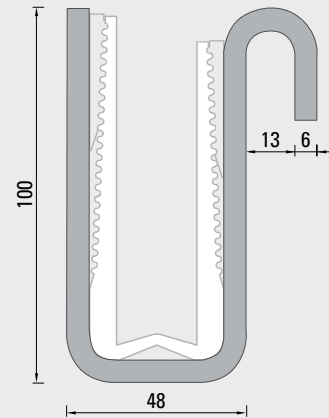
Assembly set

**2 systems for quick glass installation.  
You have the choice.**

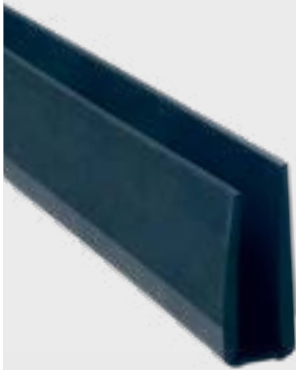
#### Support profile



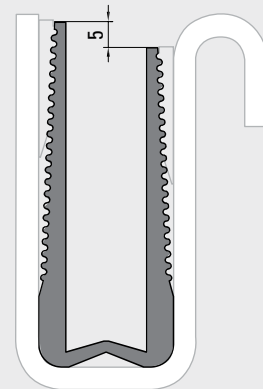
- Material: Steel
  - galvanised, drilled or left blank
  - plain, drilled or left blank
- Delivery length: 2,400 mm



#### Clamping shoe



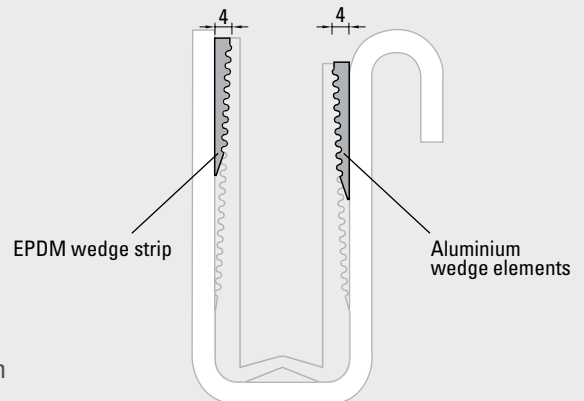
- Material: EPDM
- Delivery length: 2,400 mm



#### Wedge strip



- Material: EPDM
- Delivery length: 2,400 mm
- Thickness: 4 mm



#### Aluminium wedge elements



- Material: Aluminium
- Delivery length: 20 x 120 mm
- Thickness: 4 mm

Wedge strip and aluminium wedge elements 3 or 5 mm as a compensation set see Accessories Page 80.  
Assembly see Page 88-89.

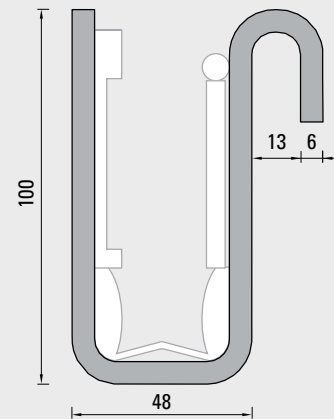
## Rod system

Assembly set

### Support profile



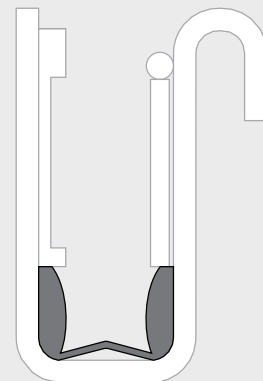
- Material: Steel
  - galvanised, drilled or left blank
  - plain, drilled or left blank
- Delivery length: 2,400 mm



### Clamping shoe



- Material: EPDM
- Delivery length: 2,400 mm



### Pressure profile + spacer

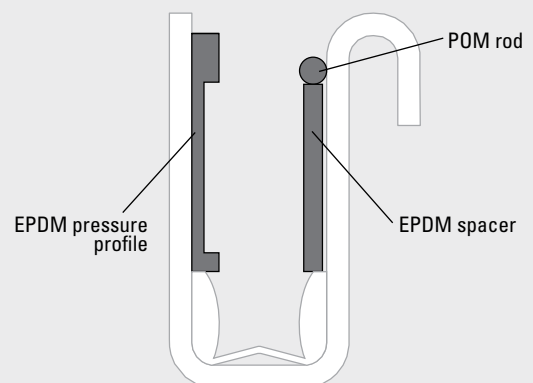


#### POM rod



- Material: EPDM
- Delivery length: 2,400 mm
- Pressure profile thickness:
  - 11 mm for LG 2 x 8 mm or
  - 9 mm for LG 2 x 10 mm

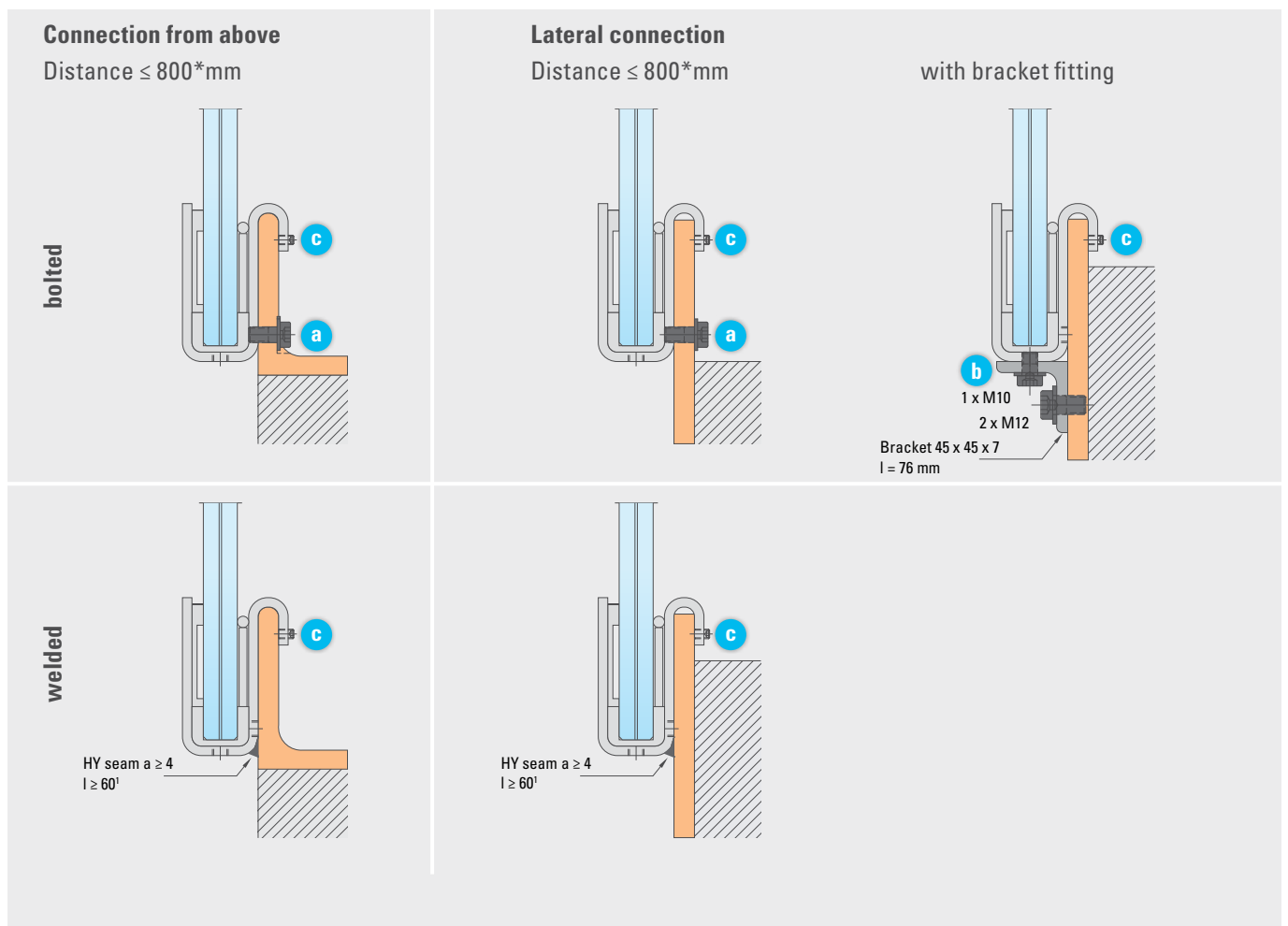
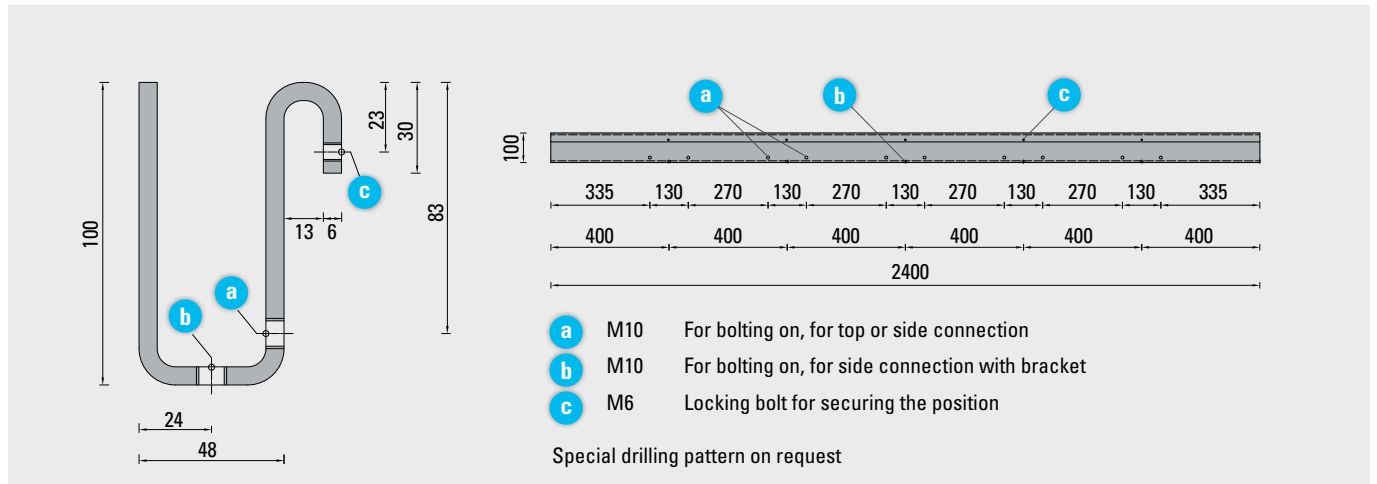
- Material: POM
- Delivery length: 300 mm
- Ø 10 mm for LG 2 x 8 mm or
- Ø 8 mm for LG 2 x 10 mm



Pressure profile 8 and 10 mm and POM rod Ø 7, 9 and 11 mm as a compensation set see Accessories Page 80.  
 Assembly see Page 90-91.

### Connection to building

From above or from the side, bolted or welded



Apply a liquid threadlocker (e.g. Loctite) to all bolted connections to secure them permanently.

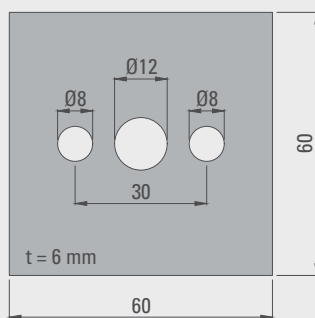
\* In case of increased static requirements, distance 400 mm, see Page 65.

¹ In case of rotated bracket (reverse loading condition) l ≥ 120 mm.

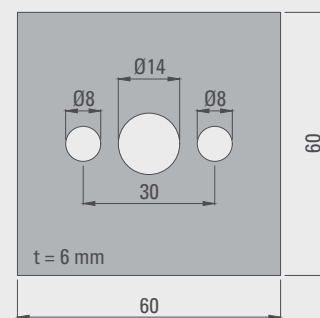
## Filler panes

for filling remaining cavities/gaps

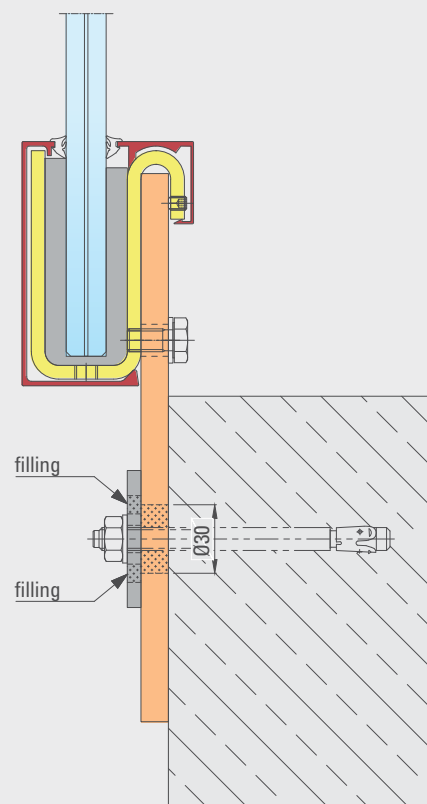
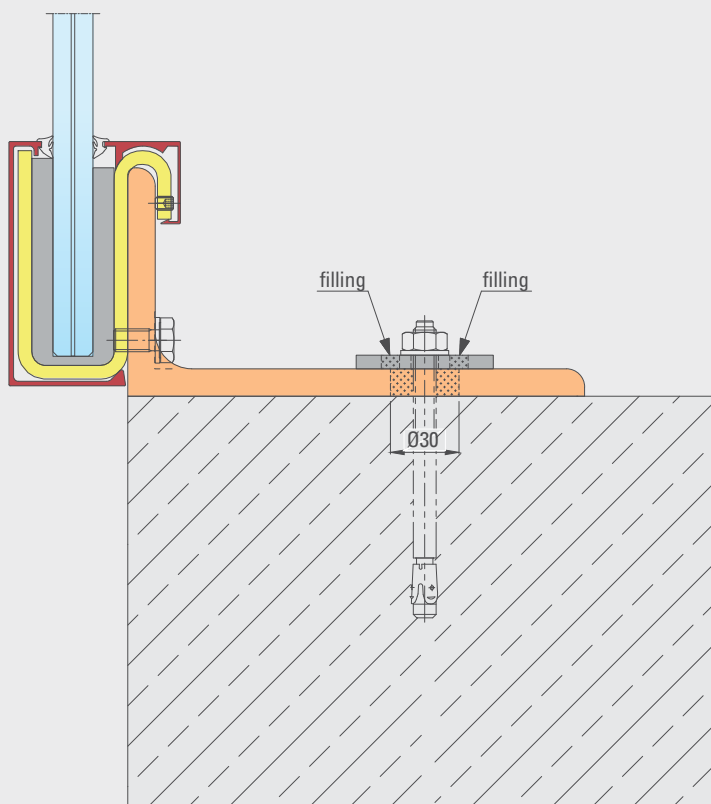
**Filler pane M10**  
for fastener  $\varnothing 10$  mm



**Filler pane M12**  
for fastener  $\varnothing 12$  mm



- Material: Steel, S235
- Surface: galvanised



Fill the remaining cavities/gaps in the connection and support elements of bolted connections with fillers (e.g. Hilti-HIT) in a load-bearing manner.

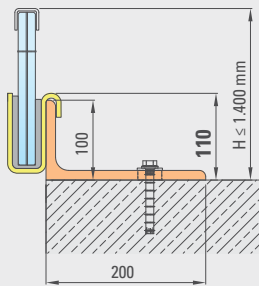
Filler panes and Hilti-HIT see Accessories Page 81.

### 13 systems for different floor structures

Connection to the substructure from **above up to 260 mm**

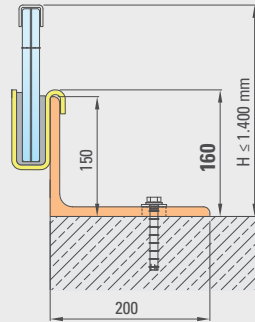
#### System 1

Page 10



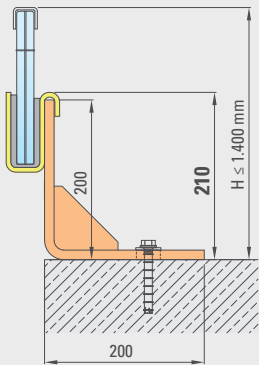
#### System 2.A

Page 14



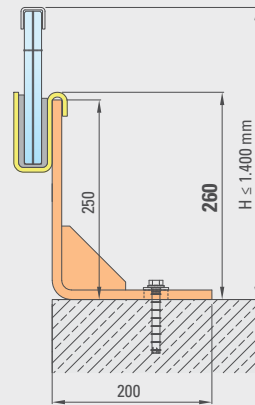
#### System 2.B

Page 18



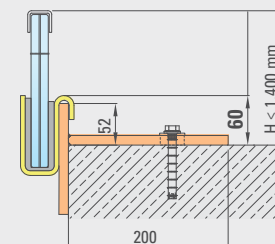
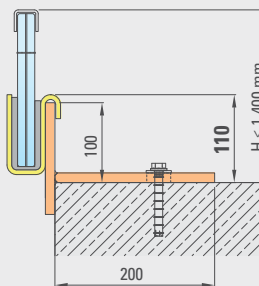
#### System 2.C

Page 22



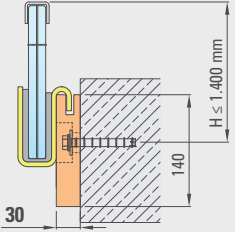
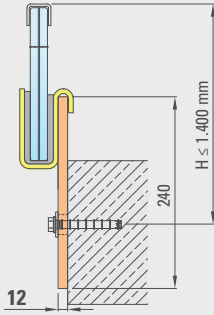
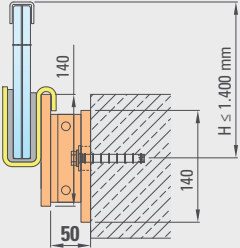
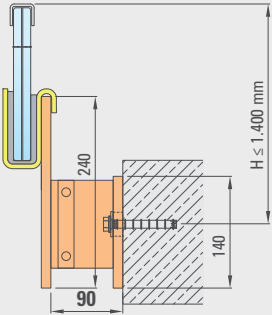
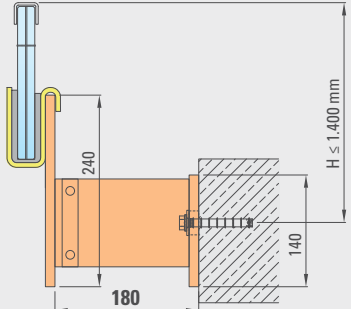
#### System 5

Page 34





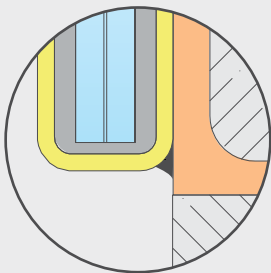
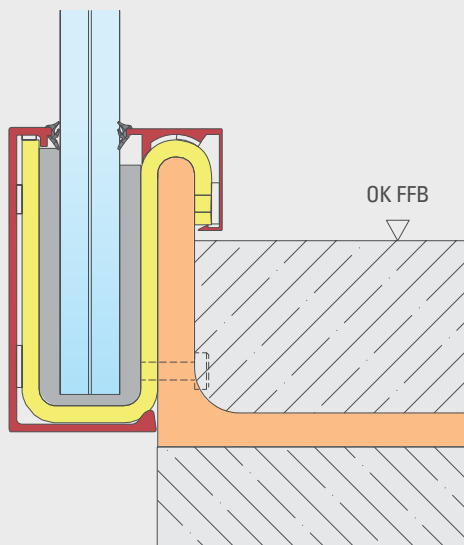
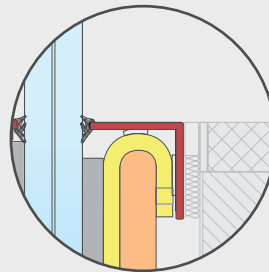
**Lateral connection to the substructure, distance up to 180 mm**

<p style="writing-mode: vertical-rl; transform: rotate(180deg);"><b>Directly to the building</b></p>	<p><b>System 3</b> <span style="float: right;">Page 26</span></p> 	<p><b>System 4</b> <span style="float: right;">Page 30</span></p> 
	<p style="writing-mode: vertical-rl; transform: rotate(180deg);"><b>Distance 50 mm</b></p>	<p><b>System 6</b> <span style="float: right;">Page 38</span></p> 
<p style="writing-mode: vertical-rl; transform: rotate(180deg);"><b>Distance 90 mm</b></p>		<p><b>System 8</b> <span style="float: right;">Page 46</span></p> 
	<p style="writing-mode: vertical-rl; transform: rotate(180deg);"><b>Distance 180 mm</b></p>	<p><b>System 10</b> <span style="float: right;">Page 54</span></p> 

### System 1


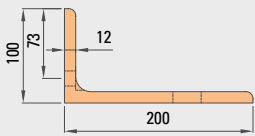
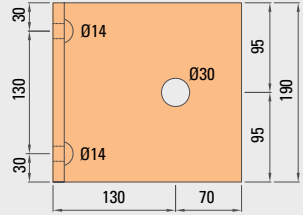
Master plan

**Connection from above, bolted or welded**  
**Floor structure up to 110 mm**



## System 1

Structural connection element and trim set


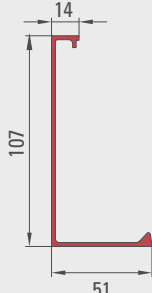




- Material: Steel, S355
- Surface: galvanised



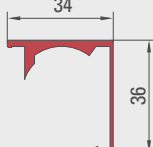
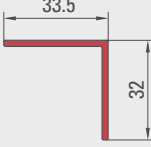
L 200 x 100 x 12 · Length = 190 mm

Ø 14: for bolting onto the support profile  
Ø 30: for dowel fastening




### Outer trim clip-on profile


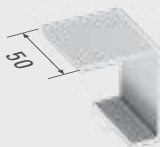

### Inner trim clip-on profile and connection bracket

- Material: Aluminium
- Delivery length: 3,000 mm

- Surface
  -  "Natural" untreated
  -  stainless steel effect (E6EV1)
  -  RAL or special colour, powder-coated or anodised

### Splice plate

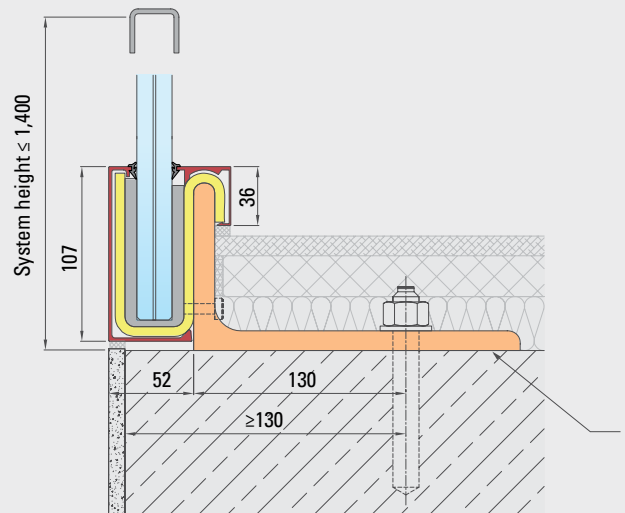




For details about the splice plates see Page 82-83.

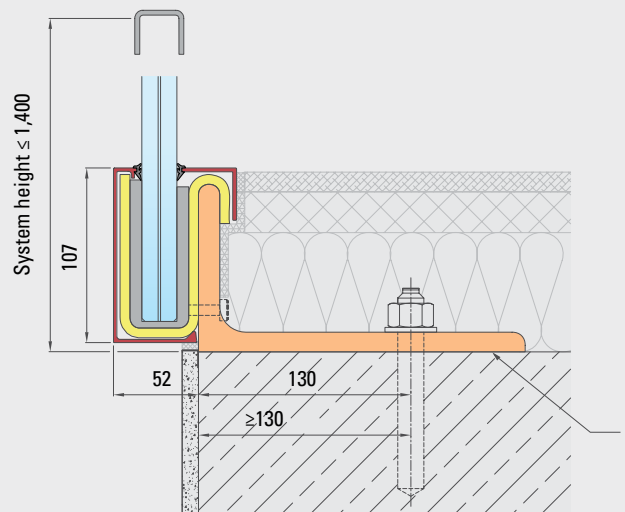
### System 1

Application examples

1



2



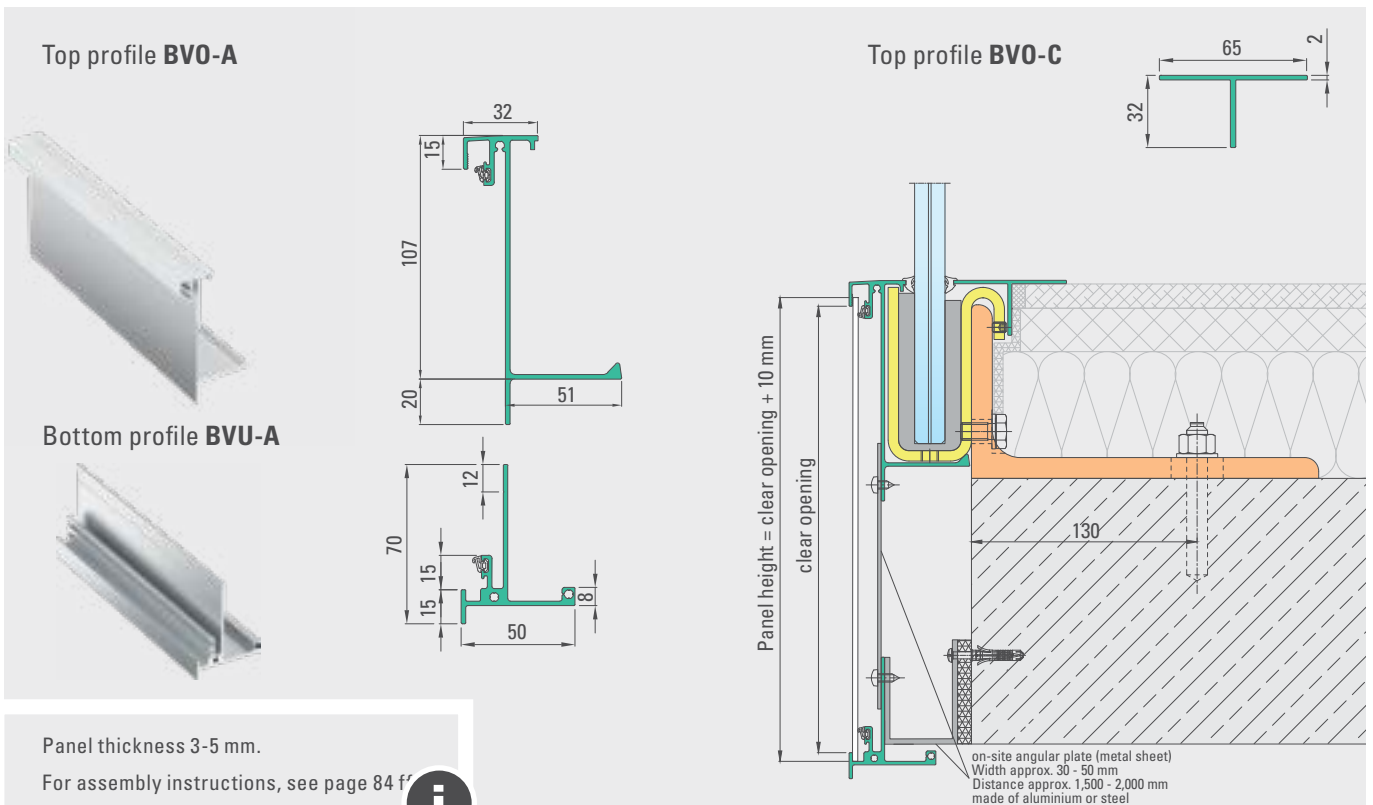
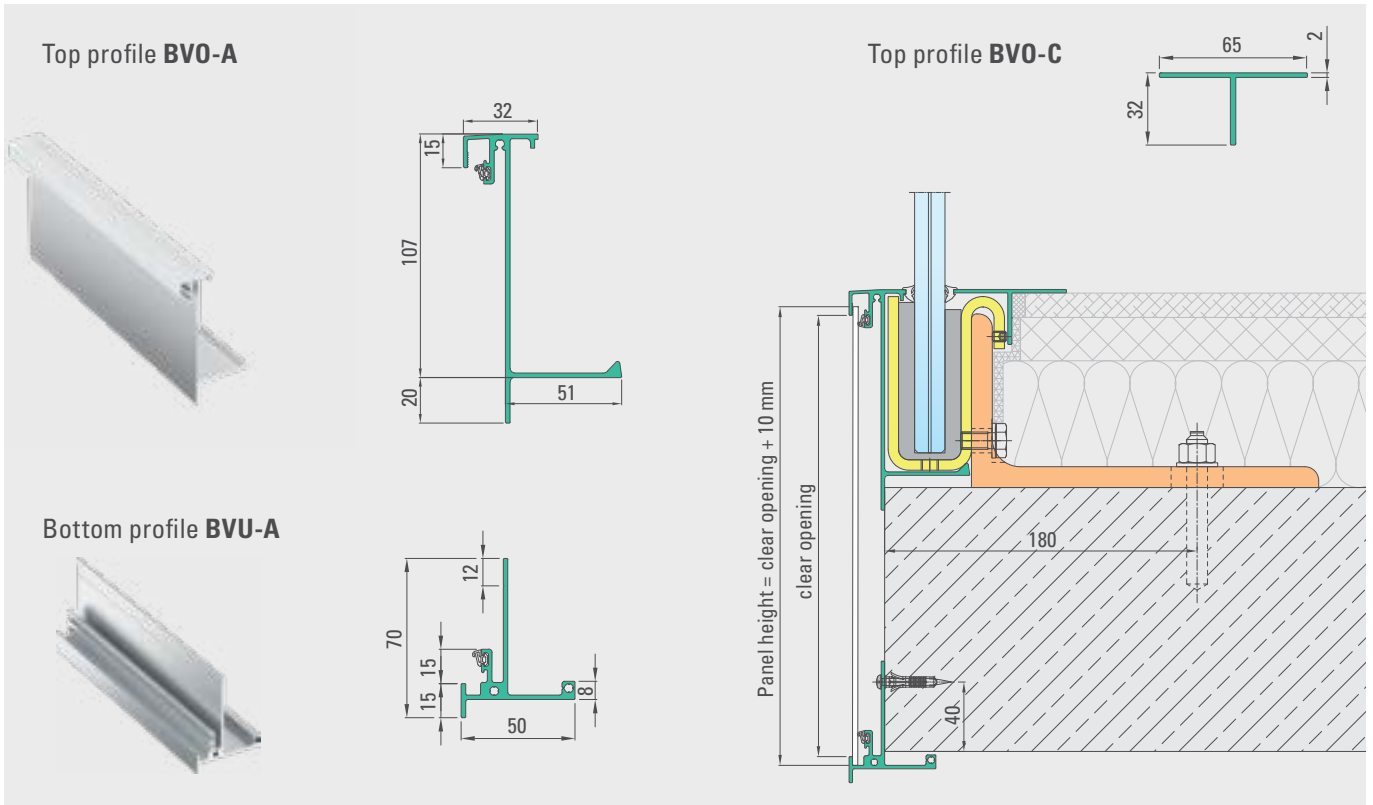
\* Pressure-resistant thermal separation (e.g. Thermostop)



Welding the support profile onto the building connection element see Page 6.  
Fastener spacing 400 or 800 mm, see tables Page 64-65.

# System 1

Profiles for on-site structural cladding



Panel thickness 3-5 mm.

For assembly instructions, see page 84 f

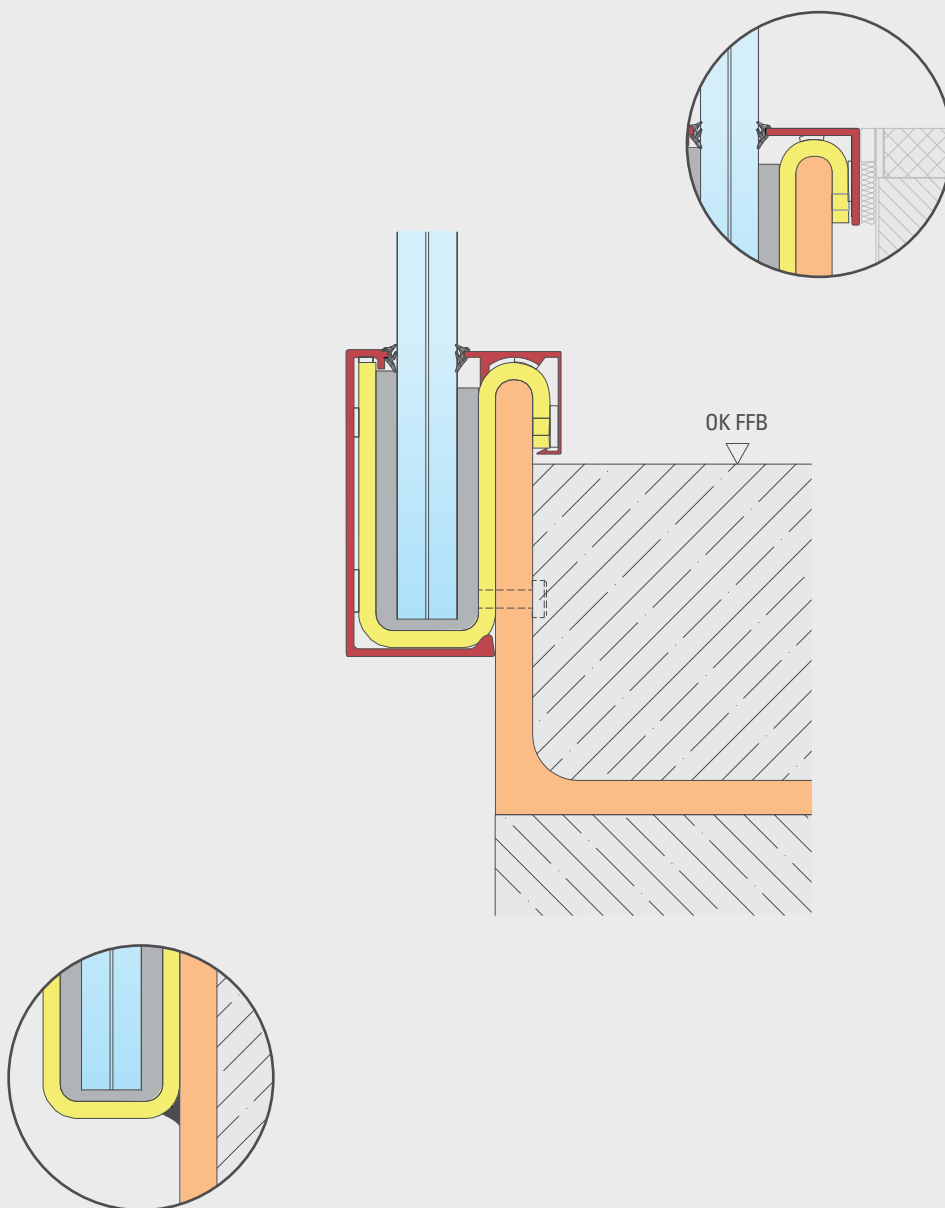


### System 2.A

Master plan

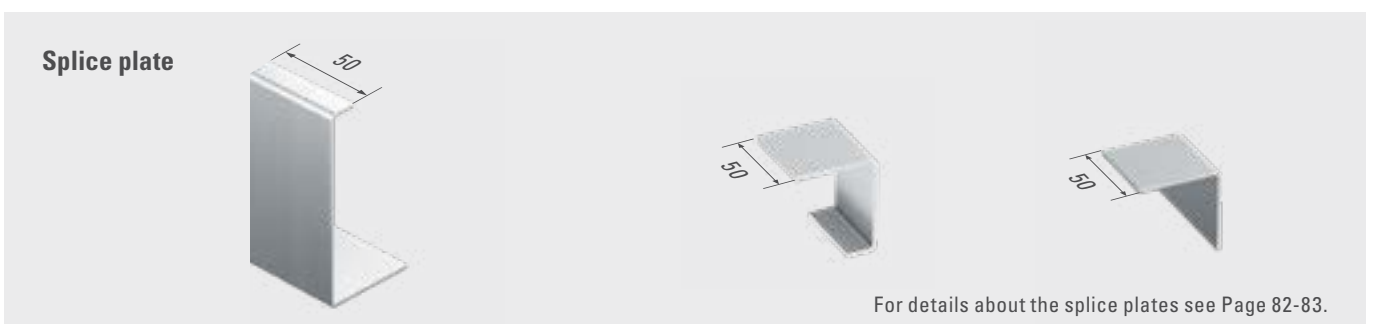
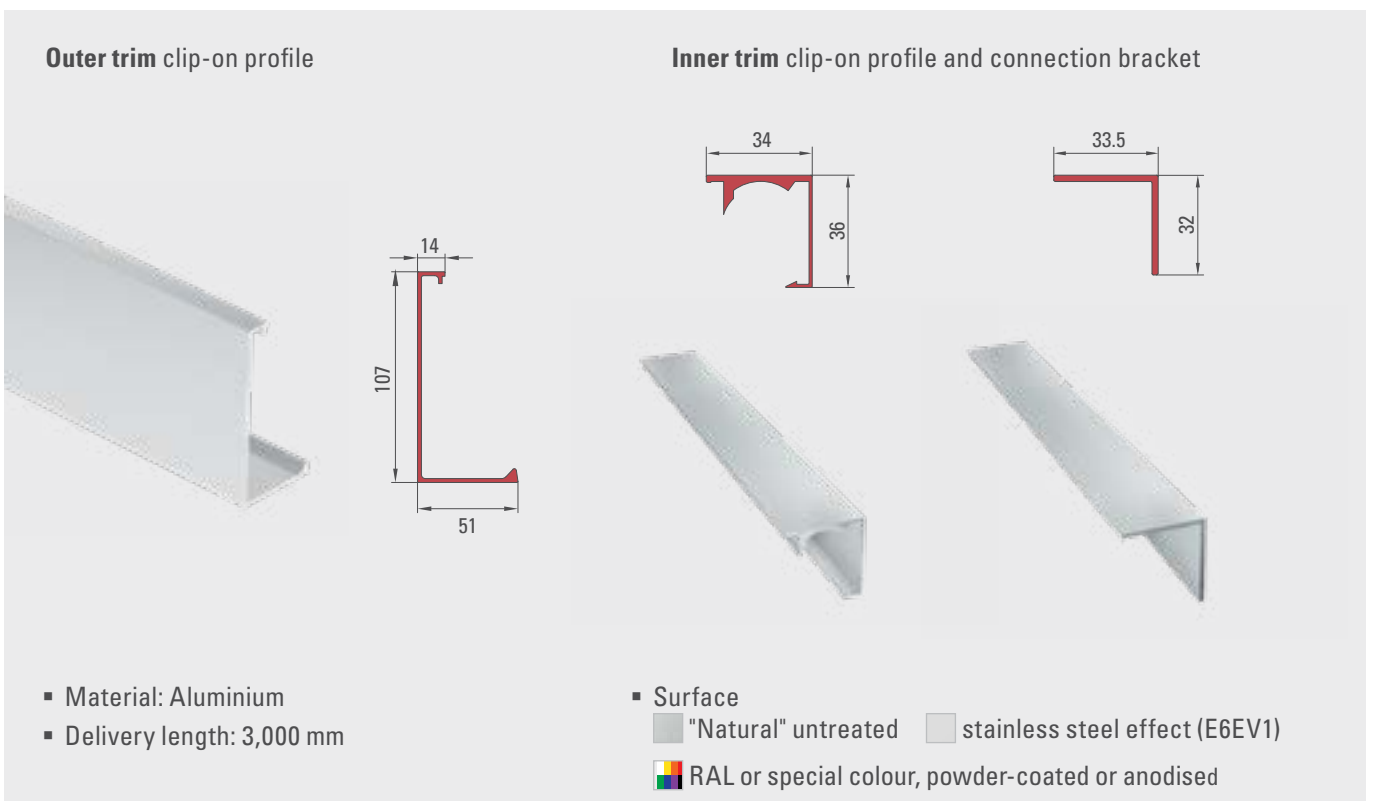
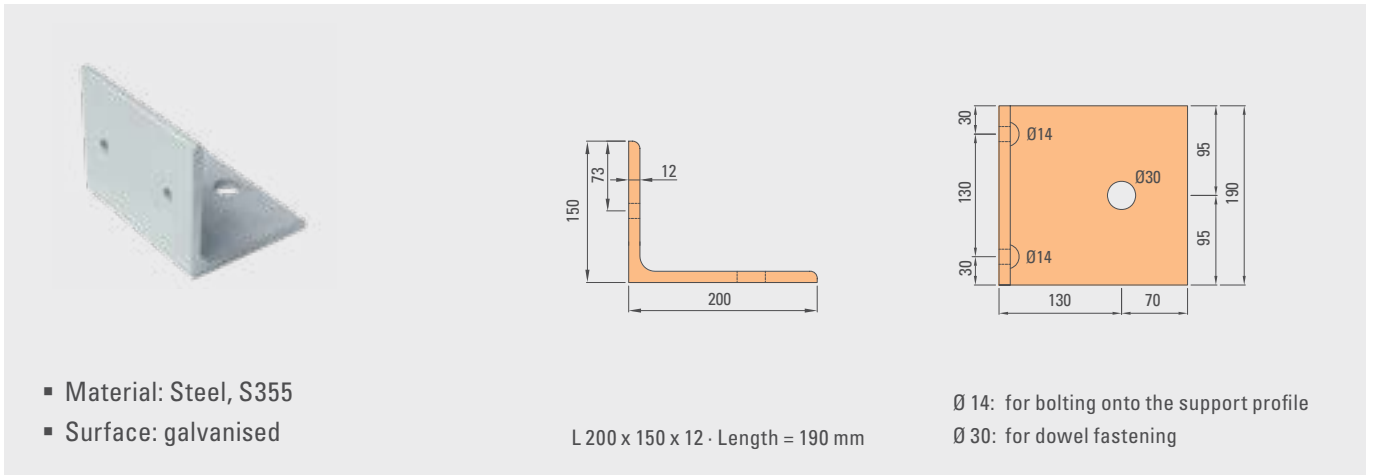
**Connection from above, bolted or welded**

**Floor structure up to 160 mm**



## System 2.A

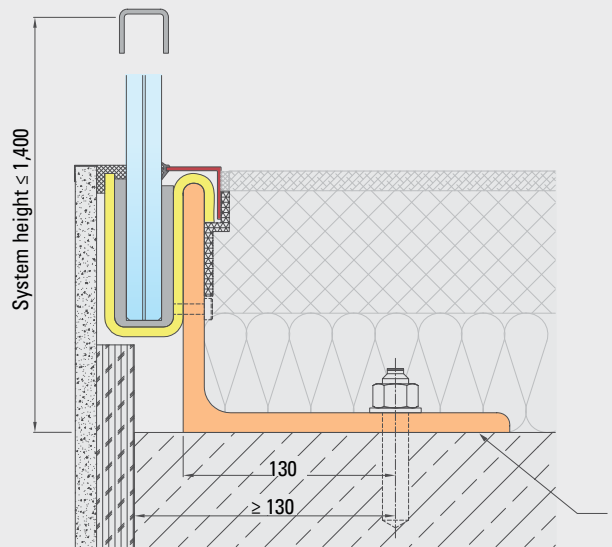
Structural connection element and trim set



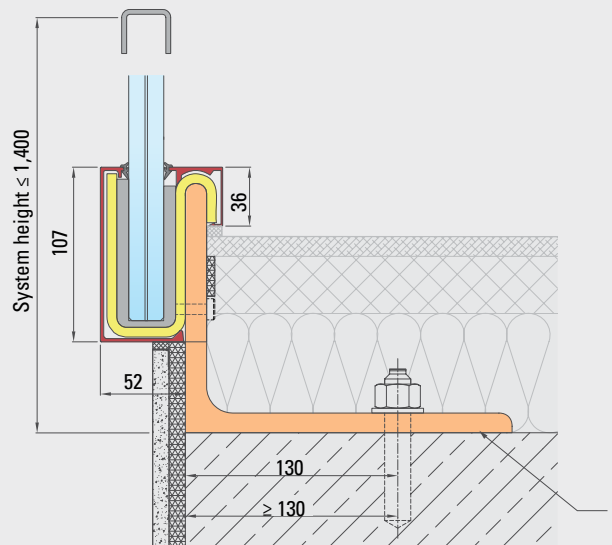
### System 2.A

Application examples

1



2



\* Pressure-resistant thermal separation (e.g. Thermostop)



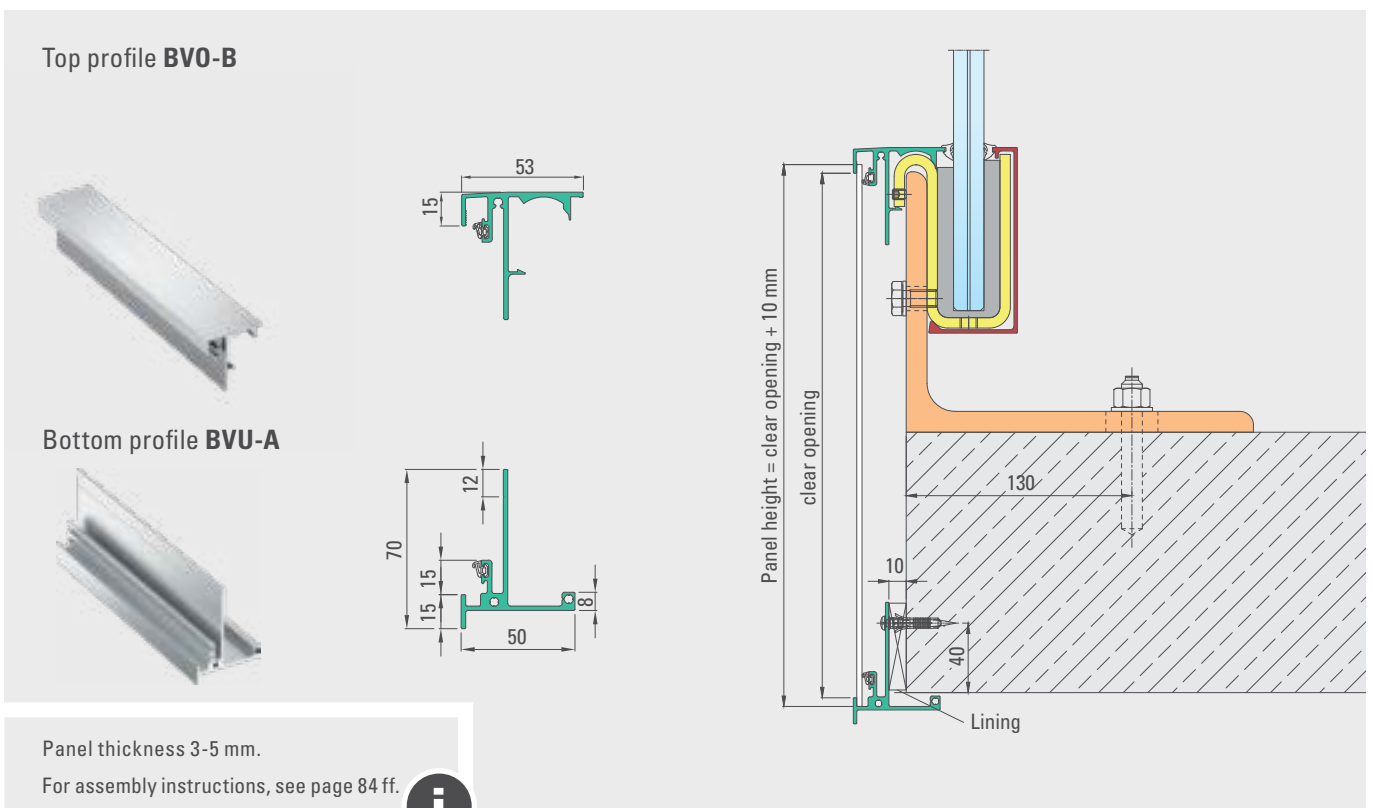
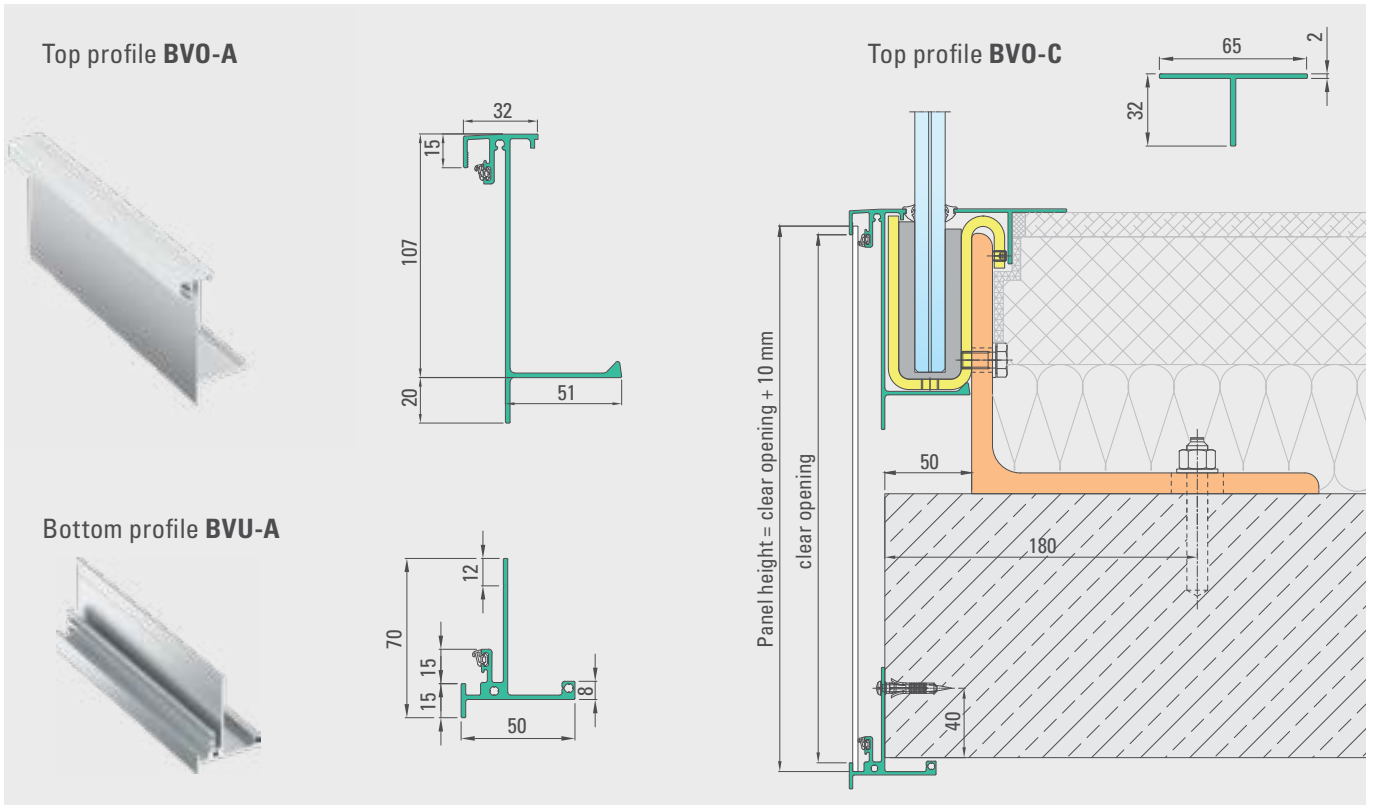
Welding the support profile onto the building connection element see Page 6.  
Fastener spacing 400 or 800 mm, see tables Page 64-65.





## System 2.A

Profiles for on-site structural cladding



Panel thickness 3-5 mm.

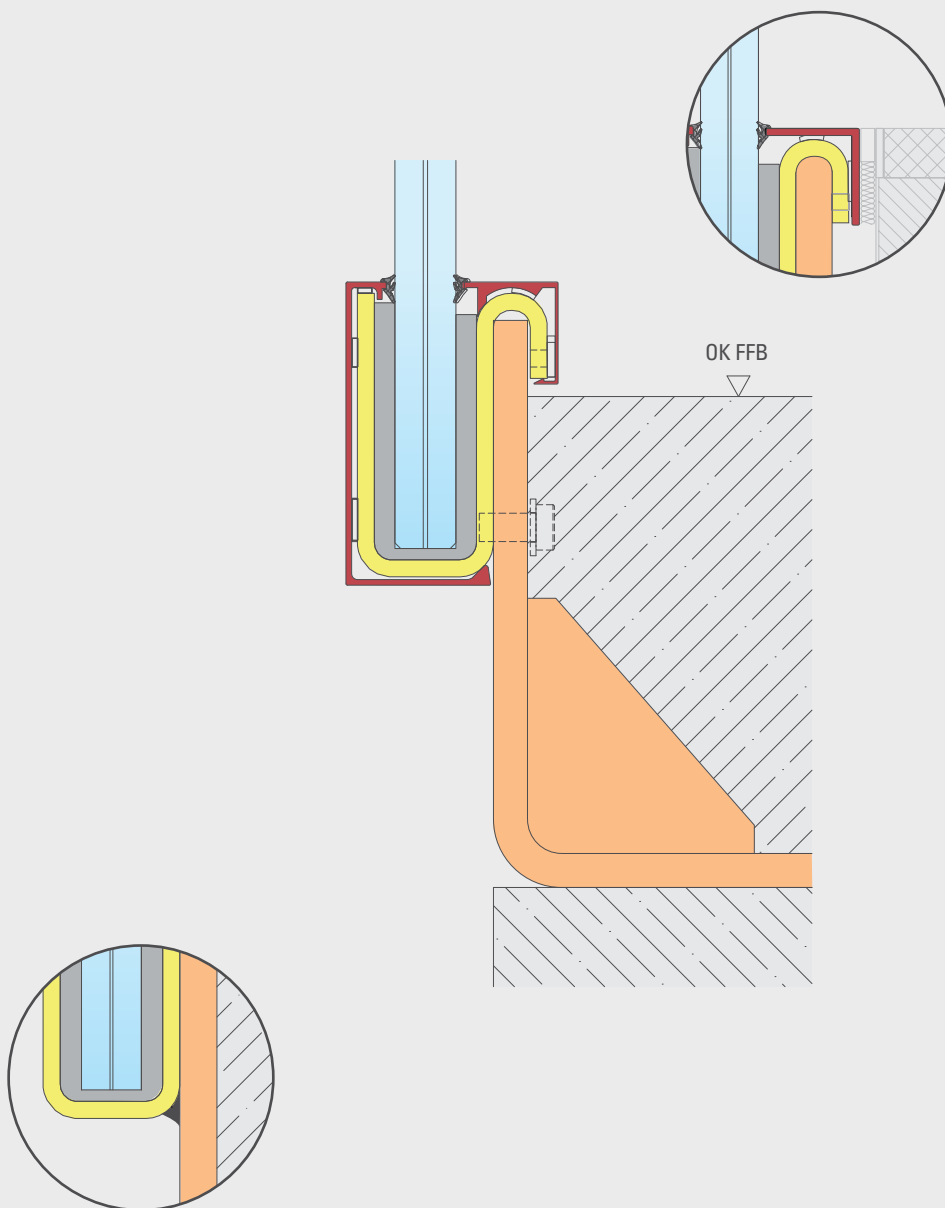
For assembly instructions, see page 84 ff.



## System 2.B


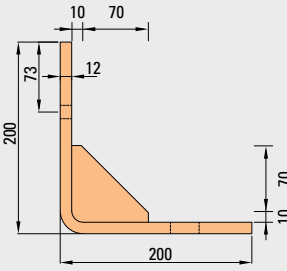
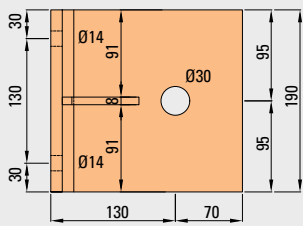
Master plan

**Connection from above, bolted or welded**  
**Floor structure up to 210 mm**



## System 2.B

Structural connection element and trim set


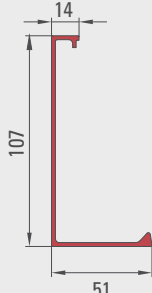




- Material: Steel, S355
- Surface: galvanised



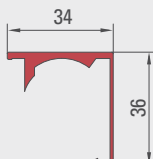
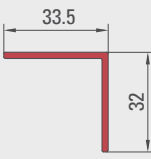
L 200 x 200 x 12 · Length = 190 mm  
BL 80 x 80 x 8

Ø 14: for bolting onto the support profile  
Ø 30: for dowel fastening

### Outer trim clip-on profile


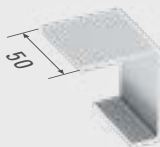

### Inner trim clip-on profile and connection bracket

- Material: Aluminium
- Delivery length: 3,000 mm

- Surface
  - "Natural" untreated
  - stainless steel effect (E6EV1)
  - RAL or special colour, powder-coated or anodised

### Splice plate

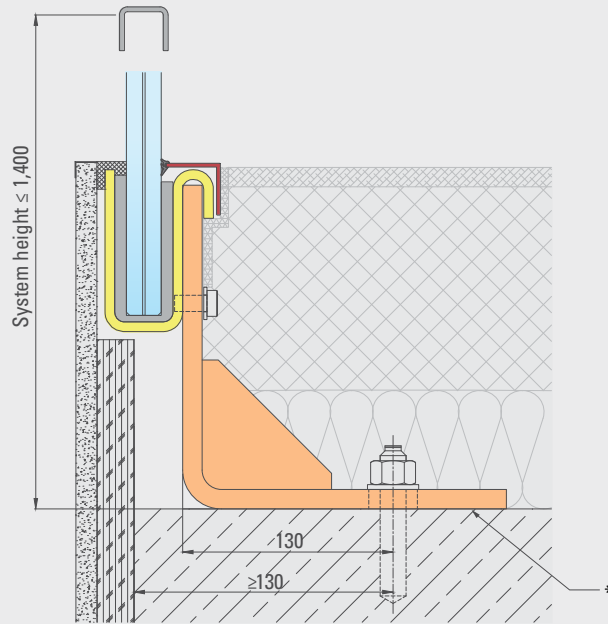




For details about the splice plates see Page 82-83.

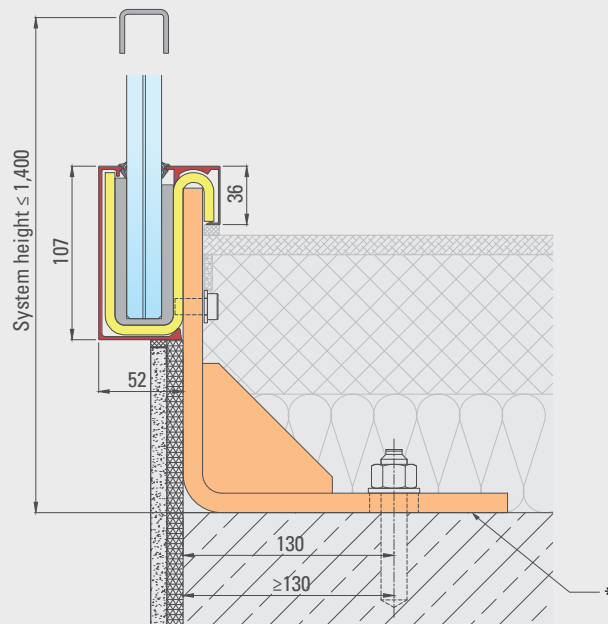
### System 2.B

Application examples

1



2



\* Pressure-resistant thermal separation (e.g. Thermostop)

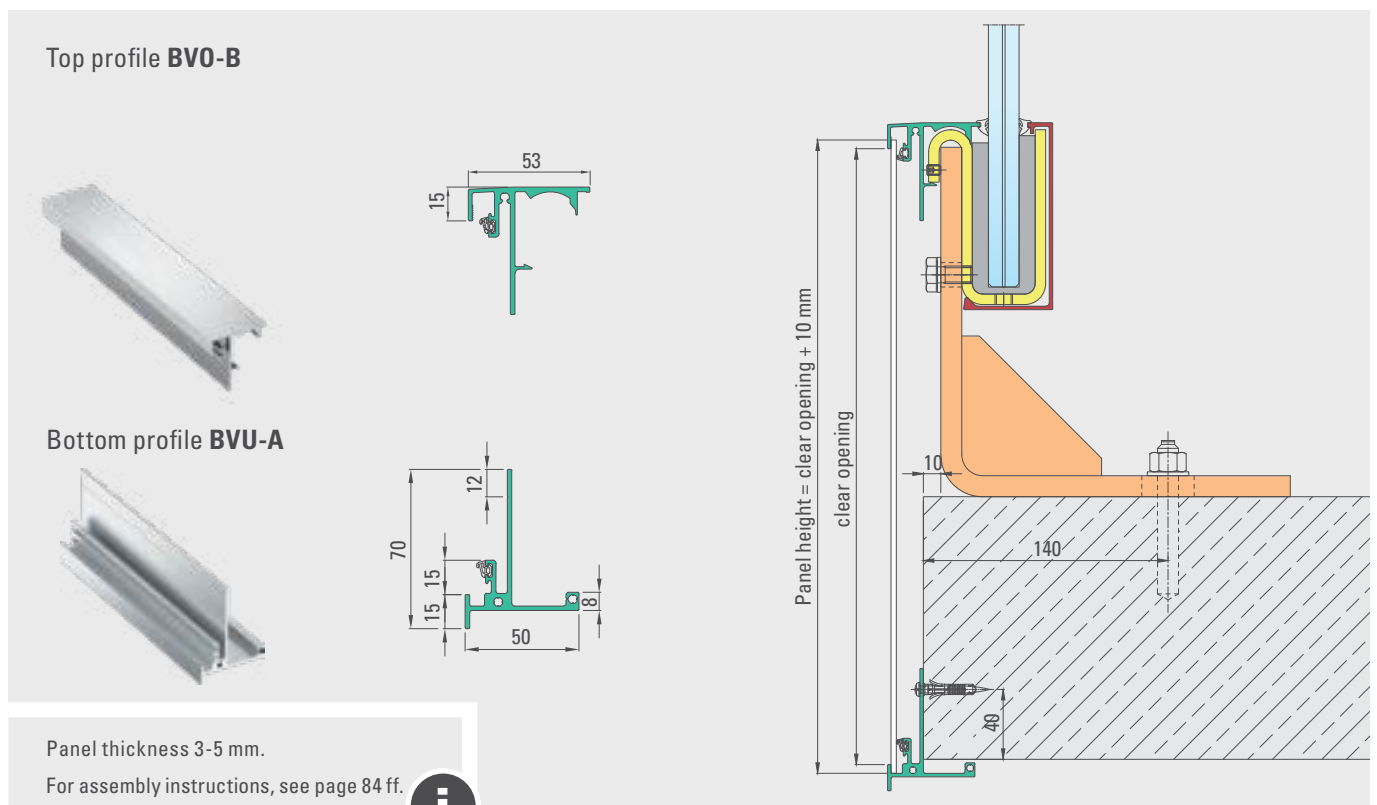
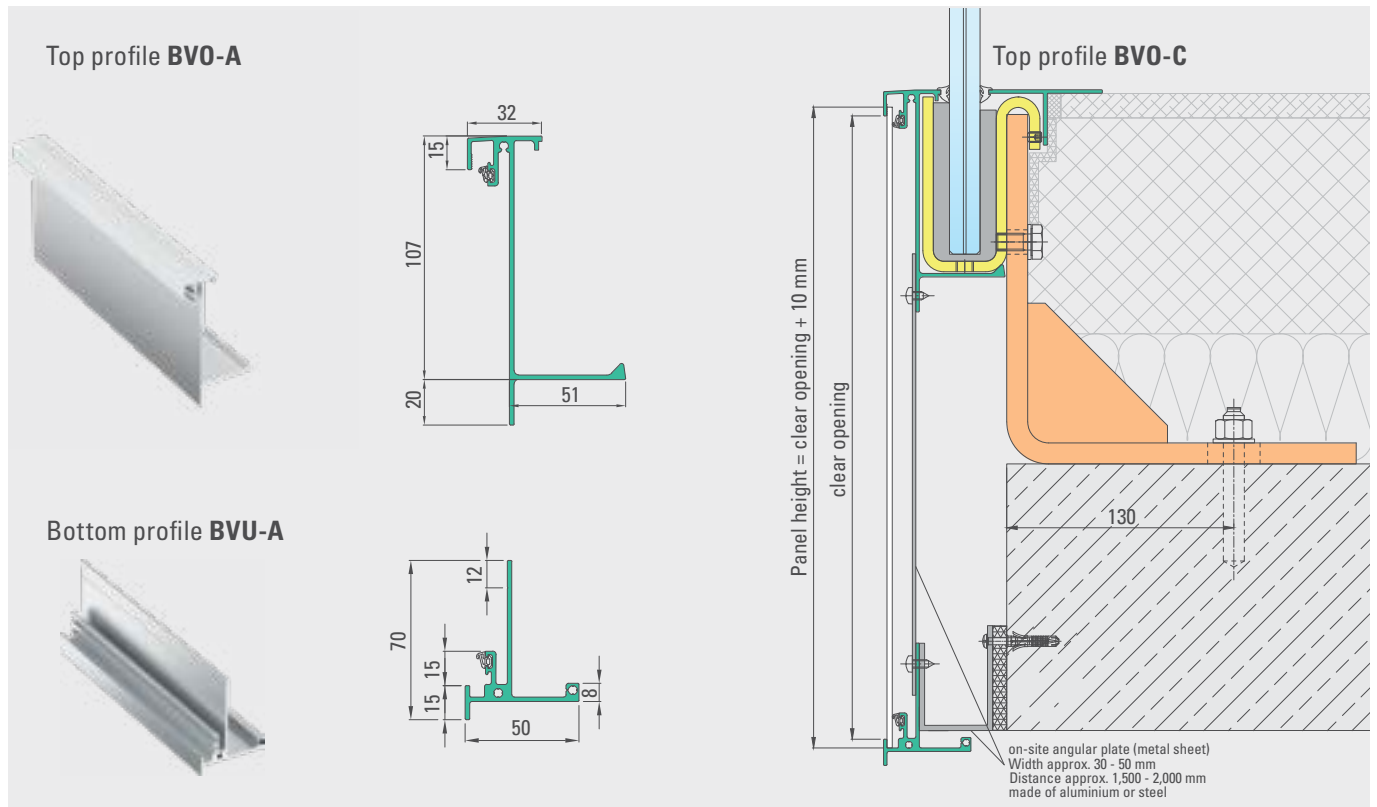


Welding the support profile onto the building connection element see Page 6.  
Fastener spacing 400 or 800 mm, see tables Page 64-65.



## System 2.B

Profiles for on-site structural cladding



Panel thickness 3-5 mm.

For assembly instructions, see page 84 ff.

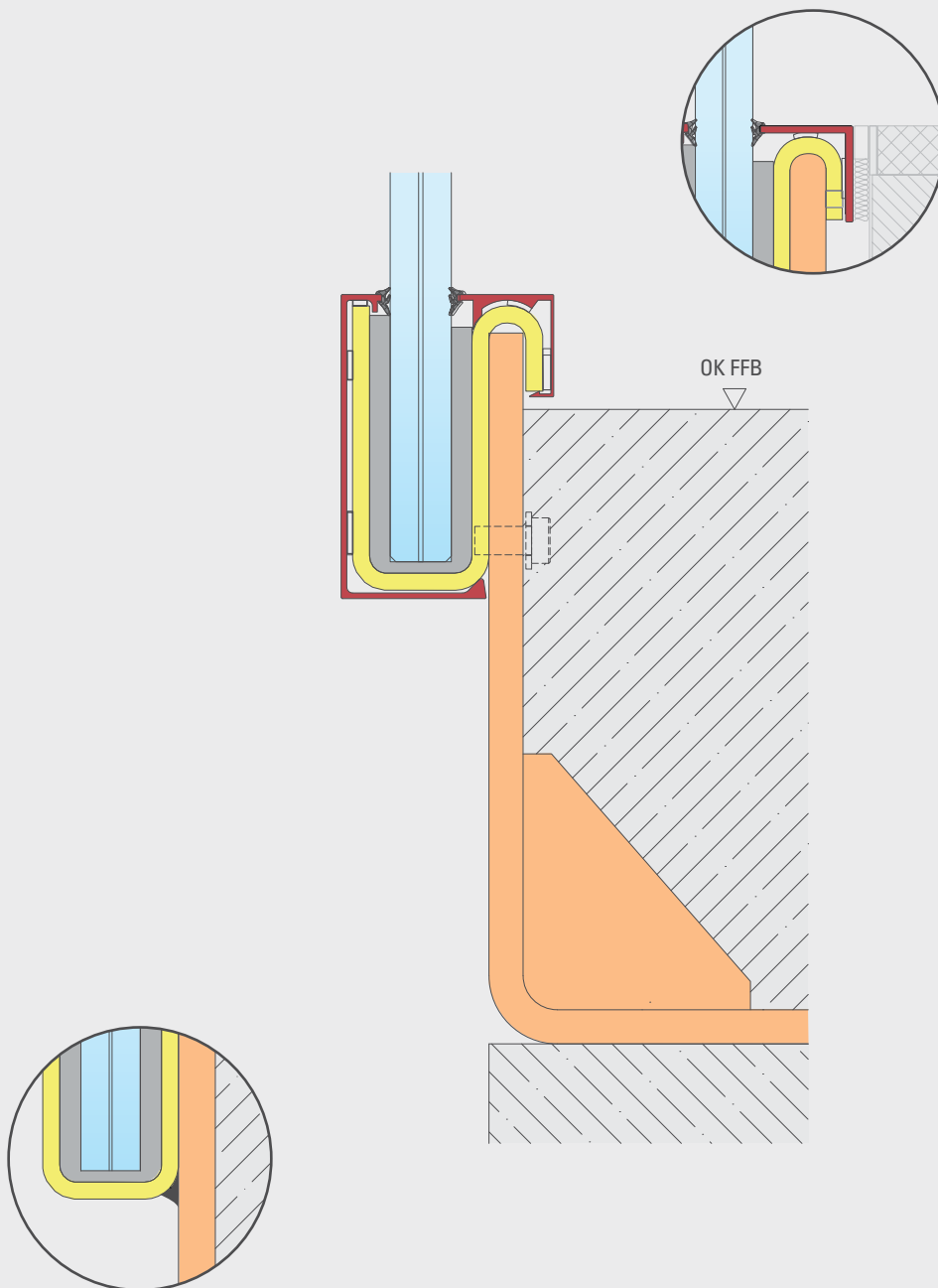


## System 2.C

Master plan


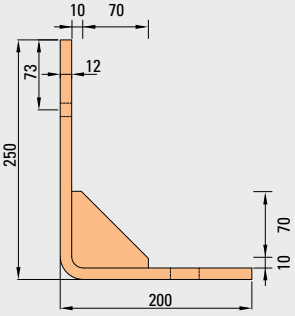
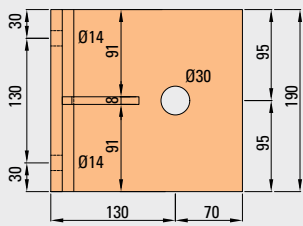
**Connection from above, bolted or welded**

**Floor structure up to 260 mm**



## System 2.C

Structural connection element and trim set


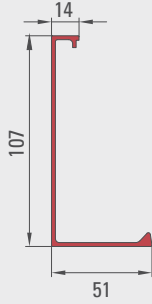




- Material: Steel, S355
- Surface: galvanised



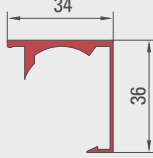
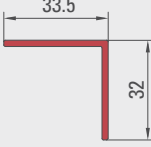
L 200 x 250 x 12 · Length = 190 mm  
BL 80 x 80 x 8

Ø 14: for bolting onto the support profile  
Ø 30: for dowel fastening

### Outer trim clip-on profile


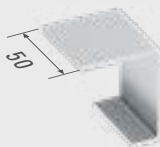

### Inner trim clip-on profile and connection bracket

- Material: Aluminium
- Delivery length: 3,000 mm

- Surface
  - "Natural" untreated
  - stainless steel effect (E6EV1)
  - RAL or special colour, powder-coated or anodised

### Splice plate

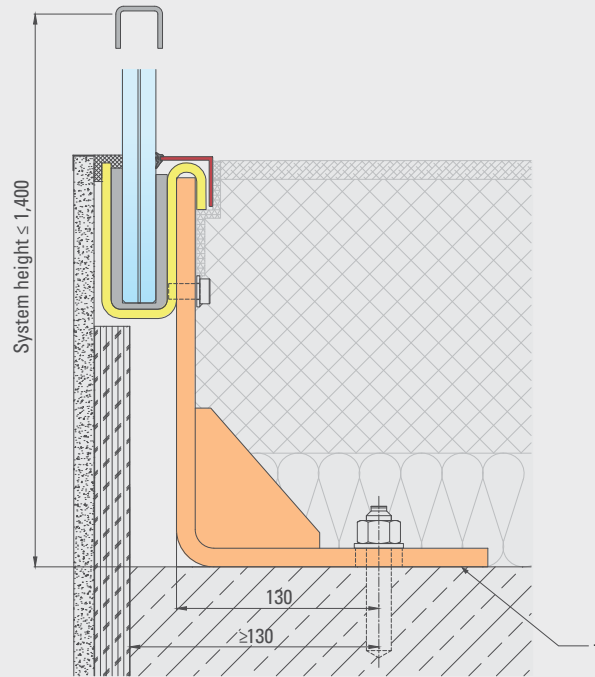




For details about the splice plates see Page 82-83.

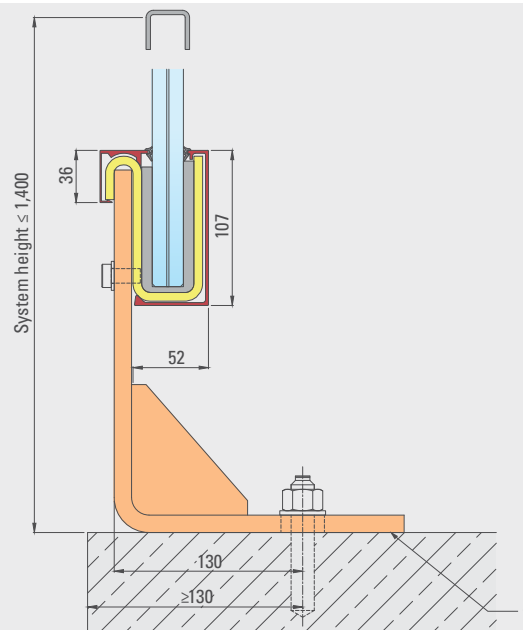
### System 2.C

Application examples

1



2



\* Pressure-resistant thermal separation (e.g. Thermostop)



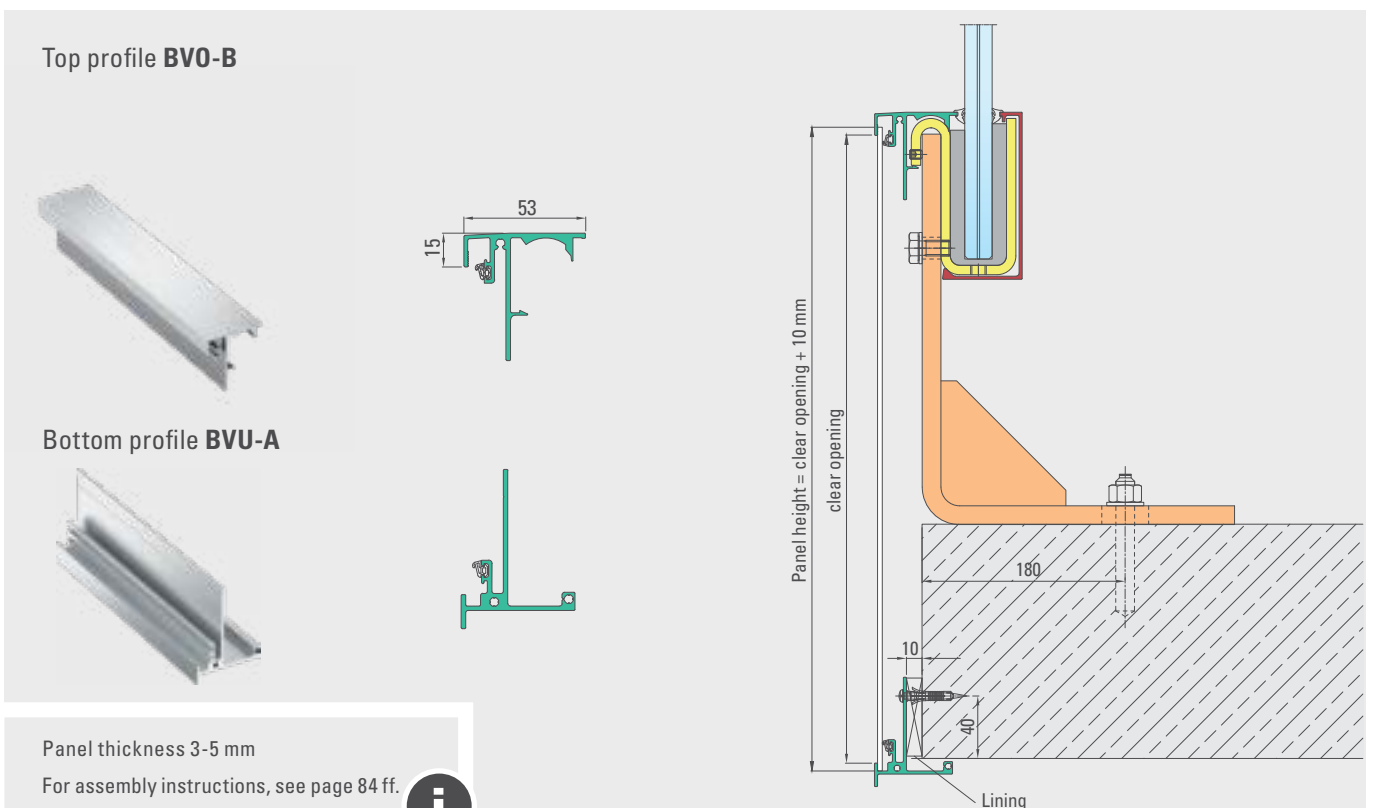
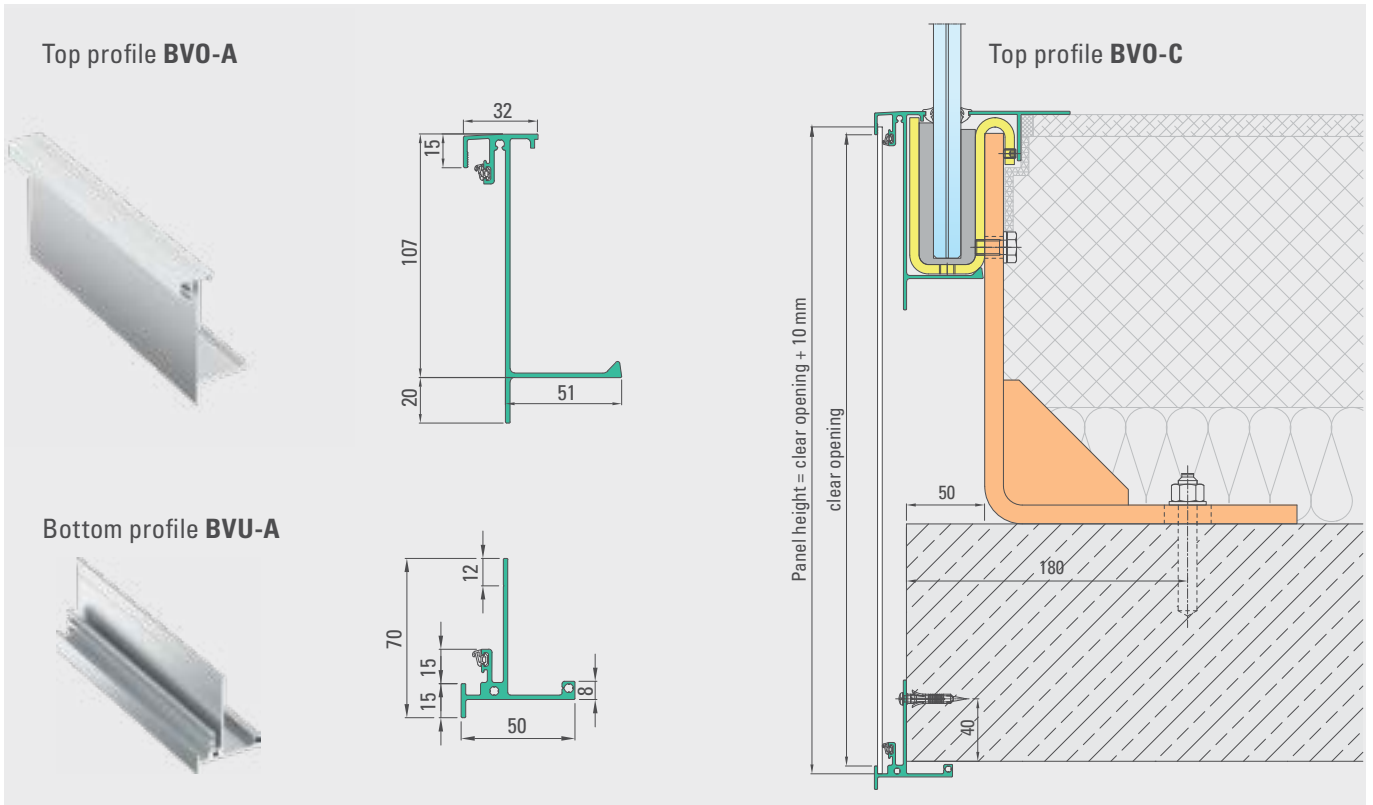
Welding the support profile onto the building connection element see Page 6.  
Fastener spacing 400 or 800 mm, see tables Page 64-65.





## System 2.C

Profiles for on-site structural cladding



Panel thickness 3-5 mm

For assembly instructions, see page 84 ff.

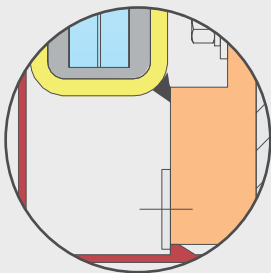
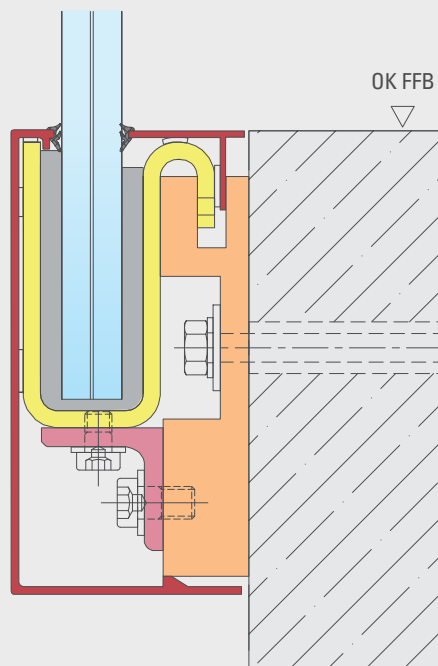


## System 3

Master plan

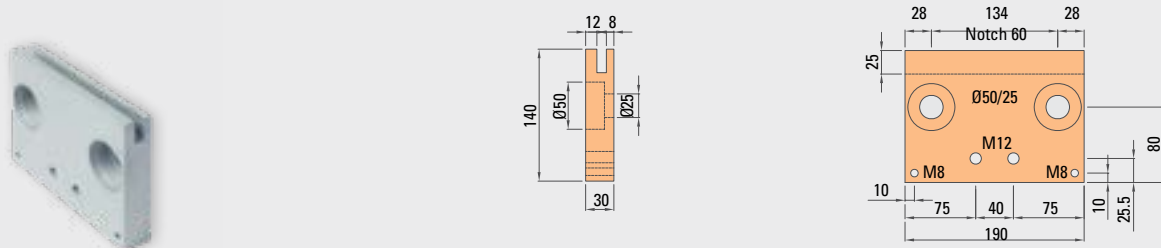
**Side connection**, bolted or welded

**Directly to the building**



## System 3

Structural connection element and trim set

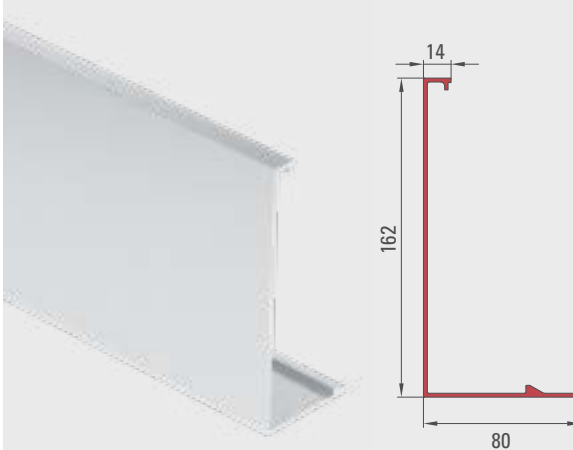


- Material: Steel, S355
- Surface: galvanised

BI 140 x 30 · Length = 190 mm  
 Ø 50/25: for dowel fastening


M 12: for bolting the bracket  
 M 8: for fastening the trim

**Outer trim clip-on profile**



- Material: Aluminium
- Delivery length: 3,000 mm

**Inner trim Slide-in profile**




- Surface
  - "Natural" untreated
  - stainless steel effect (E6EV1)
  - RAL or special colour, powder-coated or anodised

**Splice plate**



For details about the splice plates see Page 82-83.

**Bracket for bolting from underneath**

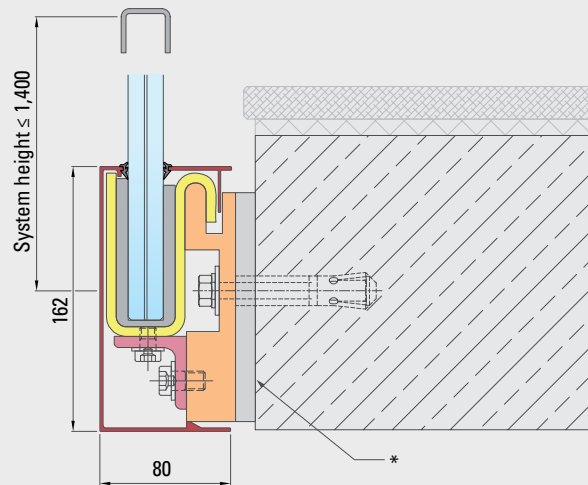


- Material: Steel, S355
- Surface: galvanised

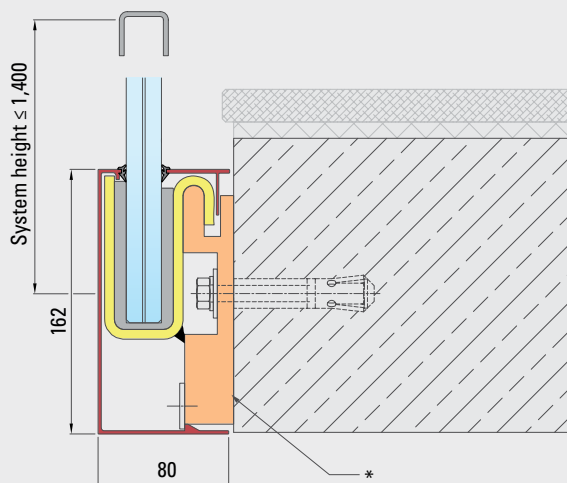
### System 3

Application examples

1



2



\* Pressure-resistant thermal separation (e.g. Thermostop)

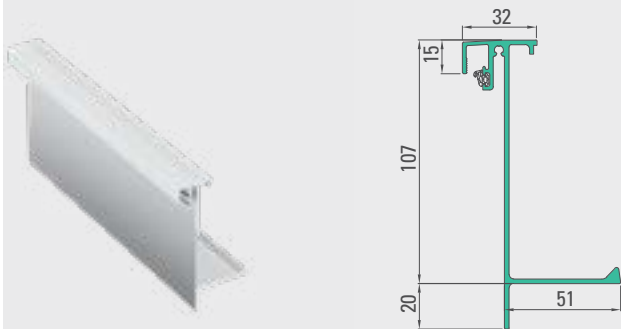


Welding the support profile onto the building connection element see Page 6.  
Fastener spacing 400 or 800 mm, see tables Page 64-65.

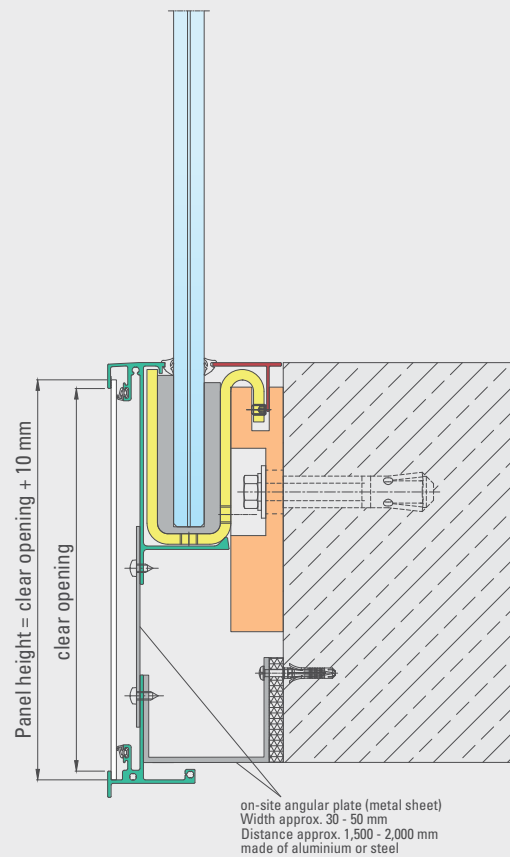
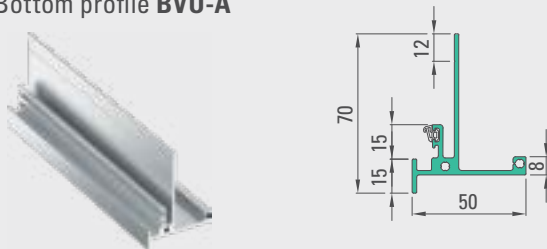
## System 3

Profiles for on-site structural cladding

Top profile **BVO-A**



Bottom profile **BVU-A**



Panel thickness 3 – 5 mm.

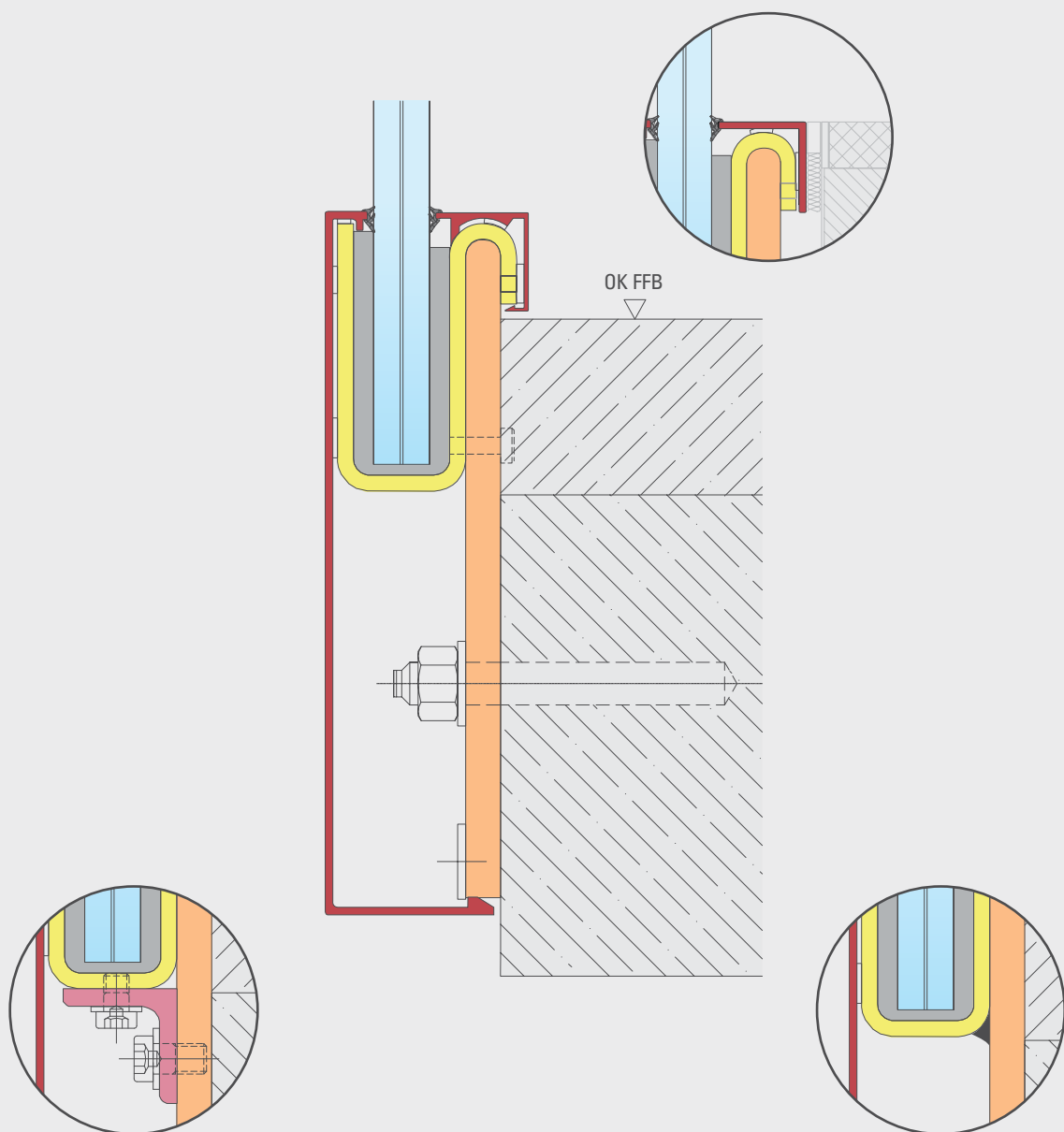
For assembly instructions, see page 84 ff.

### System 4

Master plan

**Side connection, bolted or welded**

**Directly to the building**



## System 4

Structural connection element and trim set

- Material: Steel, S355
- Surface: galvanised

BI 240 x 12 · Length = 190 mm

Ø 14: for bolting onto the support profile  
 M 12: for bolting the bracket  
 Ø 30: for dowel fastening  
 M 8: for fastening the trim

**Outer trim clip-on profile**

- Material: Aluminium
- Delivery length: 3,000 mm

**Inner trim clip-on profile and connection bracket**

- Surface
  - "Natural" untreated
  - stainless steel effect (E6EV1)
  - RAL or special colour, powder-coated or anodised

**Splice plate**

For details about the splice plates see Page 82-83.

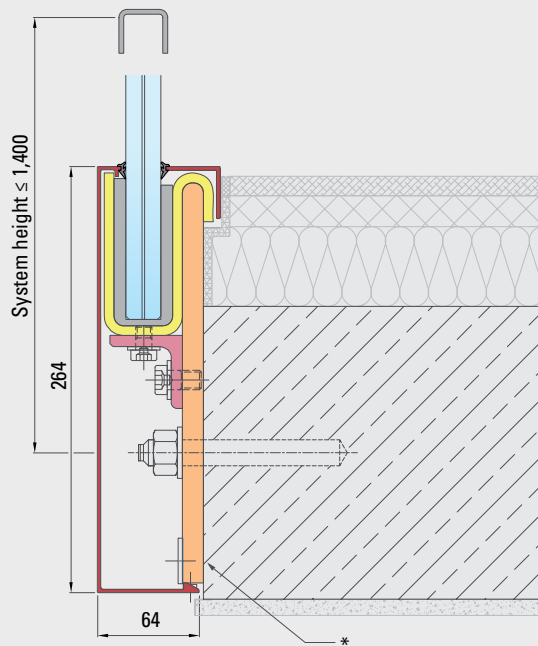
**Bracket for bolting from underneath**

- Material: Steel, S355
- Surface: galvanised

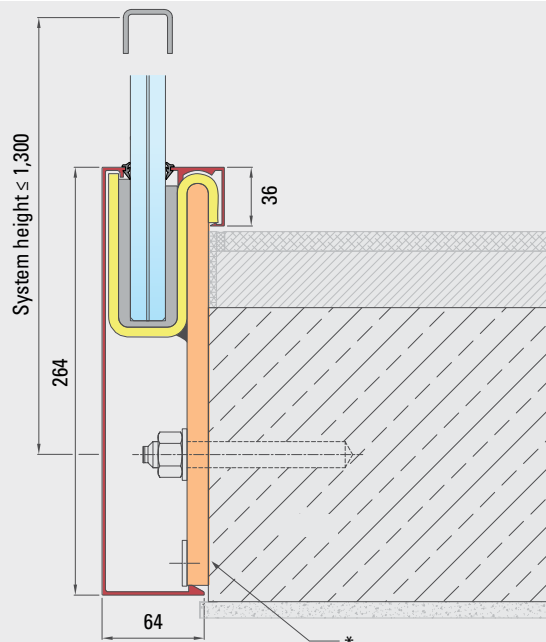
### System 4

Application examples

1



2



\* Pressure-resistant thermal separation (e.g. Thermostop)

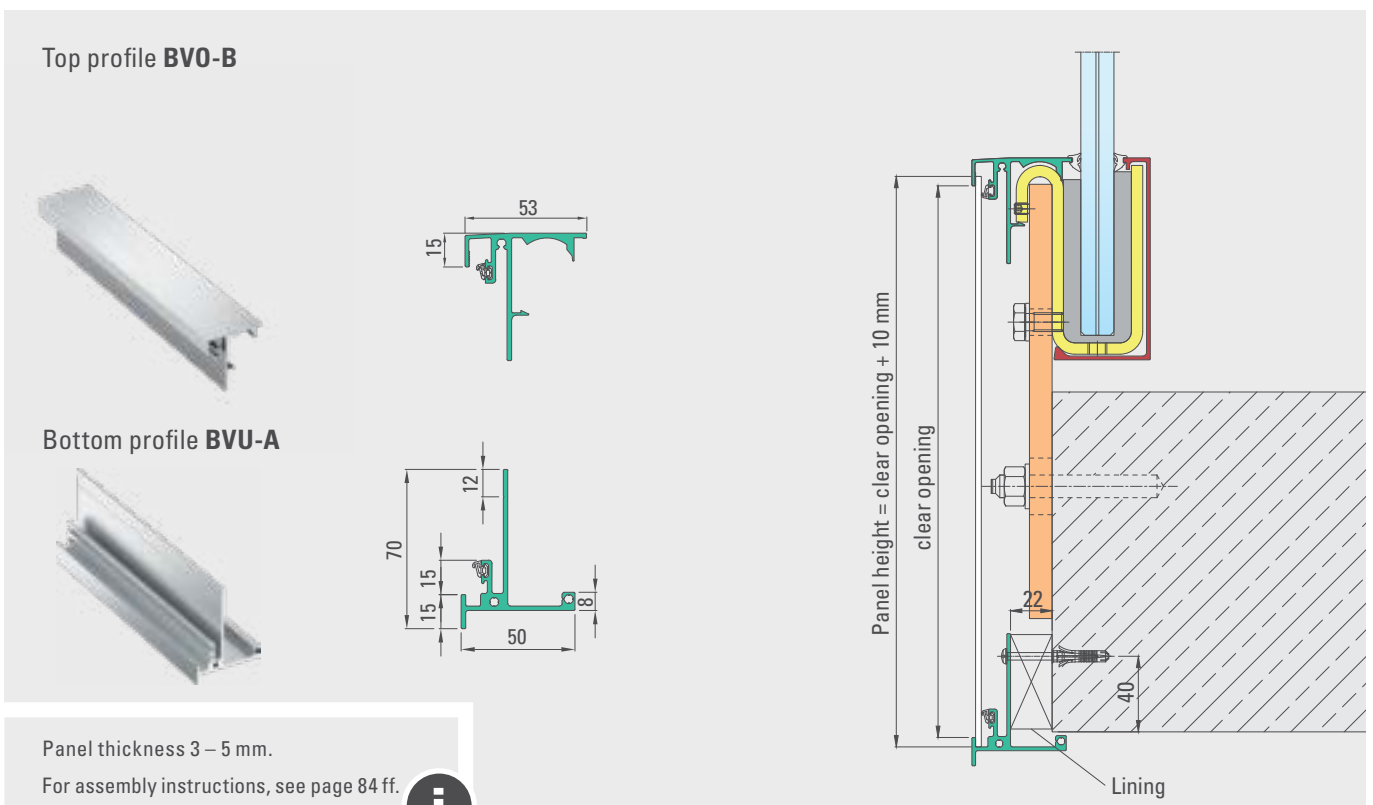
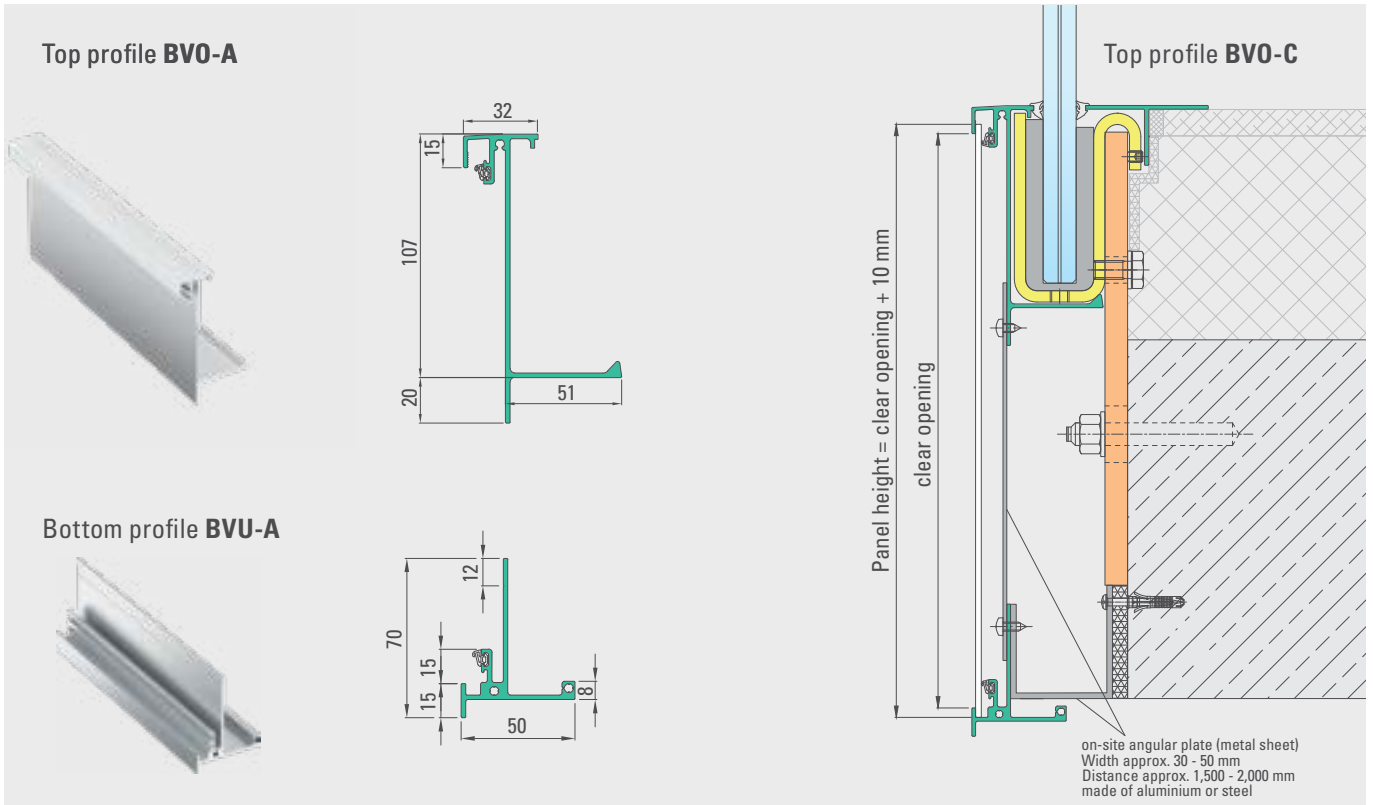


Welding the support profile onto the building connection element see Page 6.  
Fastener spacing 400 or 800 mm, see tables Page 64-65.



## System 4

Profiles for on-site structural cladding



Panel thickness 3 – 5 mm.

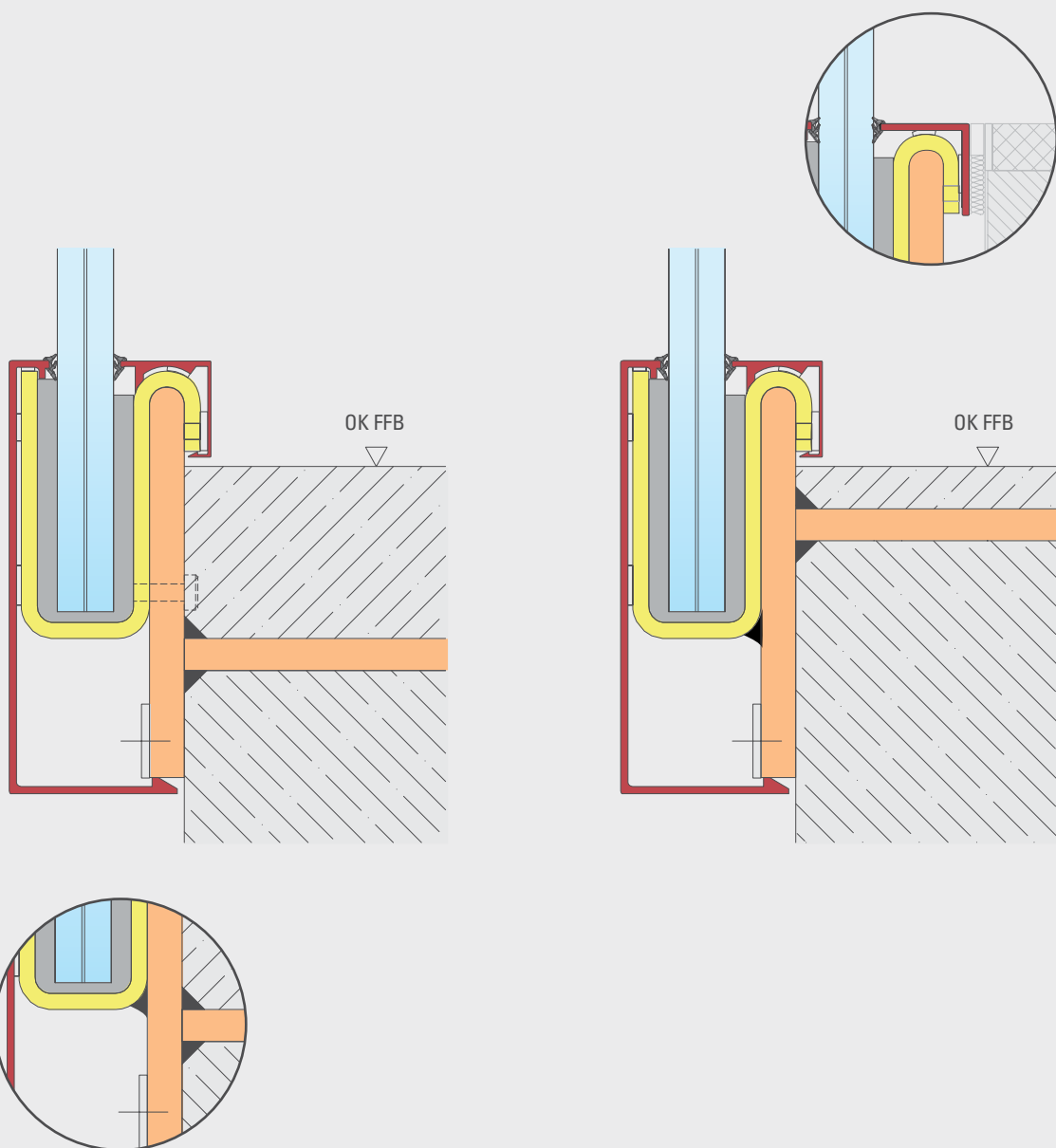
For assembly instructions, see page 84 ff.



### System 5

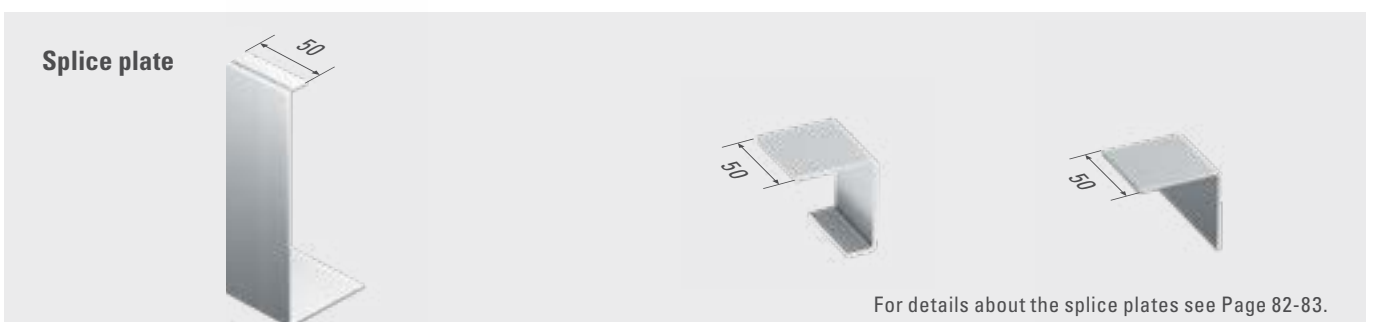
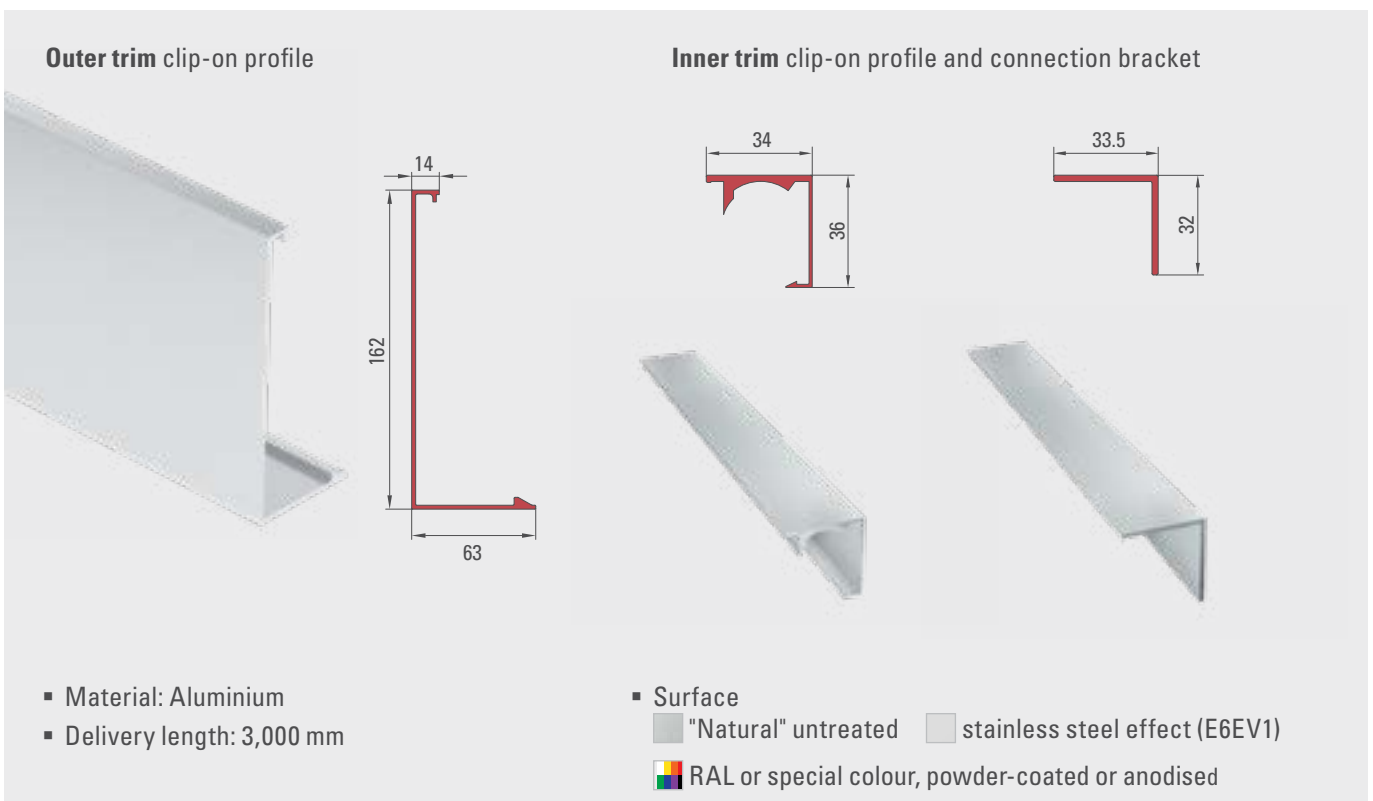
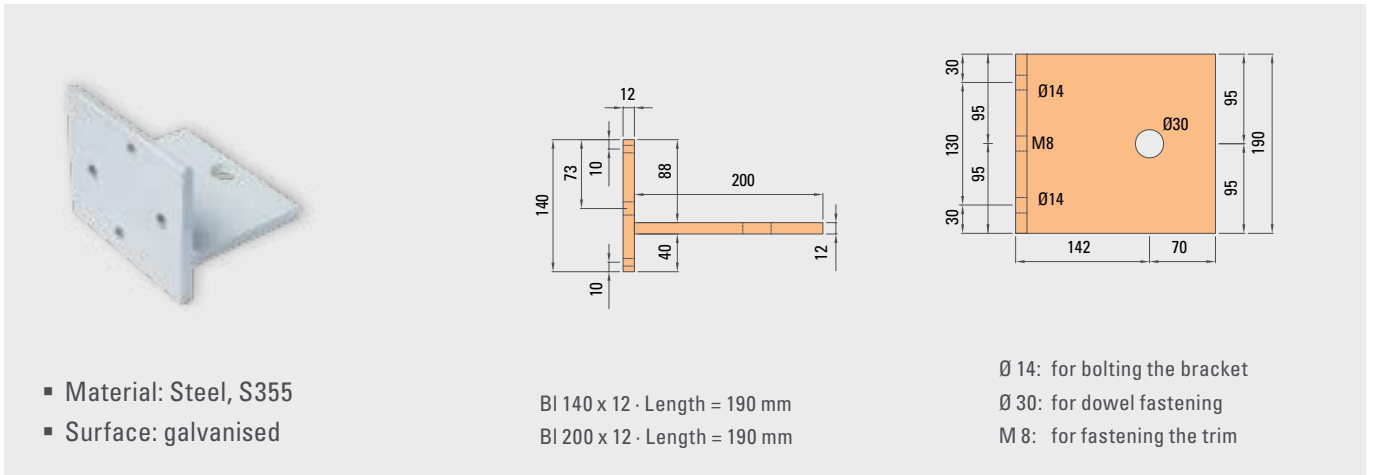
Master plan

**Connection from above, bolted or welded**  
**Floor structure 110 mm or 60 mm**



## System 5

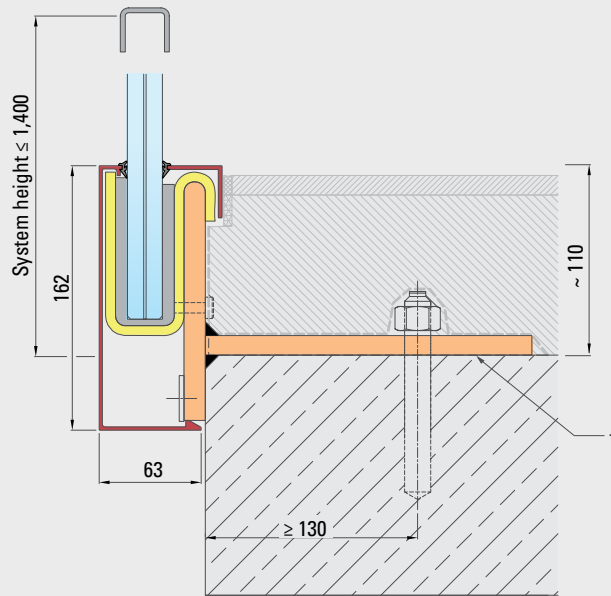
Structural connection element and trim set



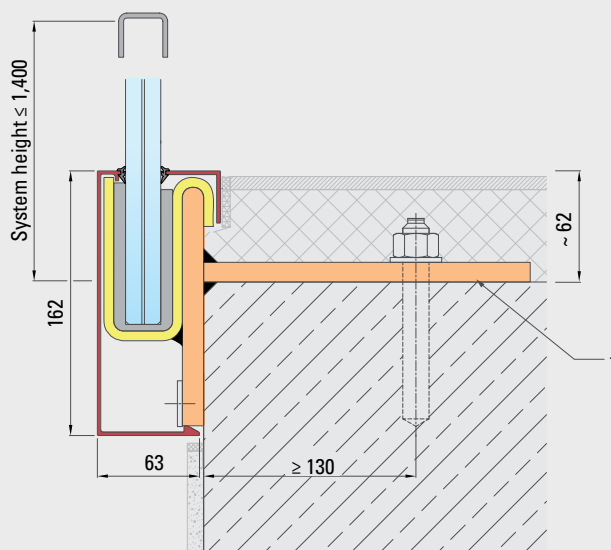
### System 5

Application examples

1



2



\* Pressure-resistant thermal separation (e.g. Thermostop)

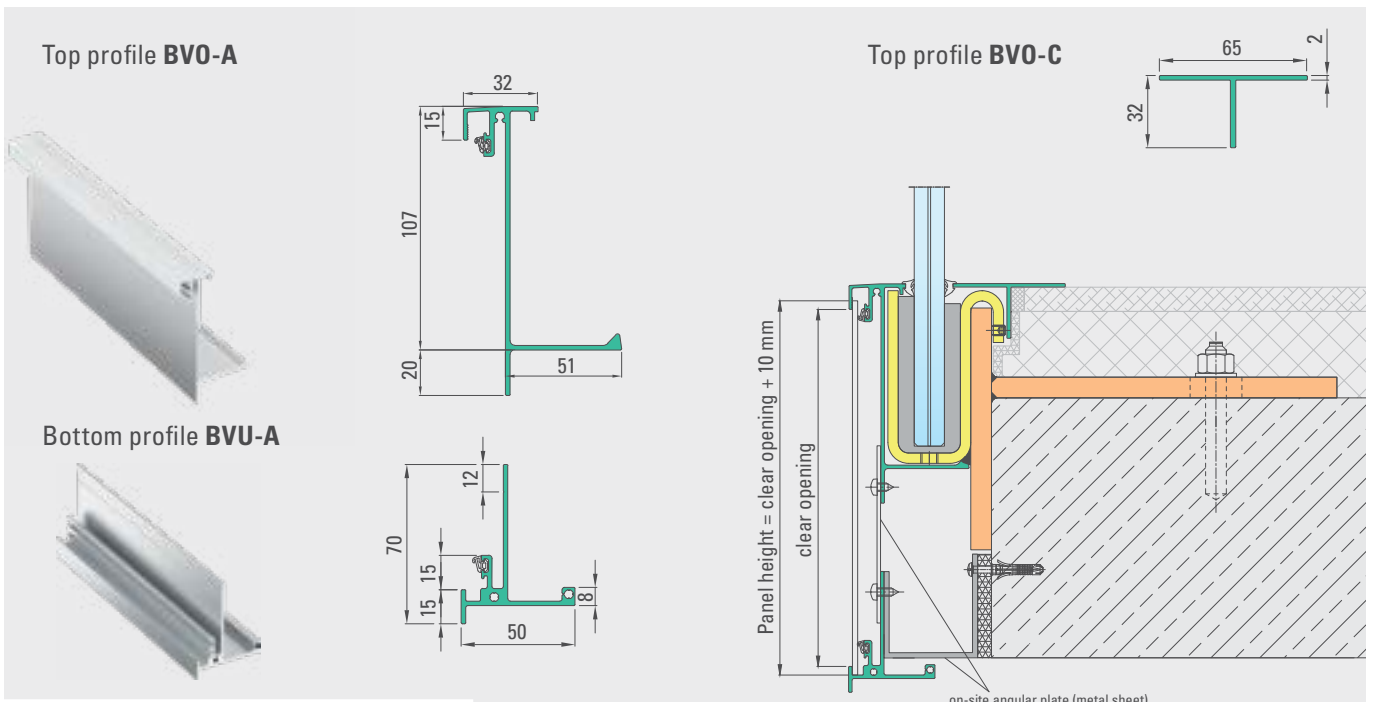
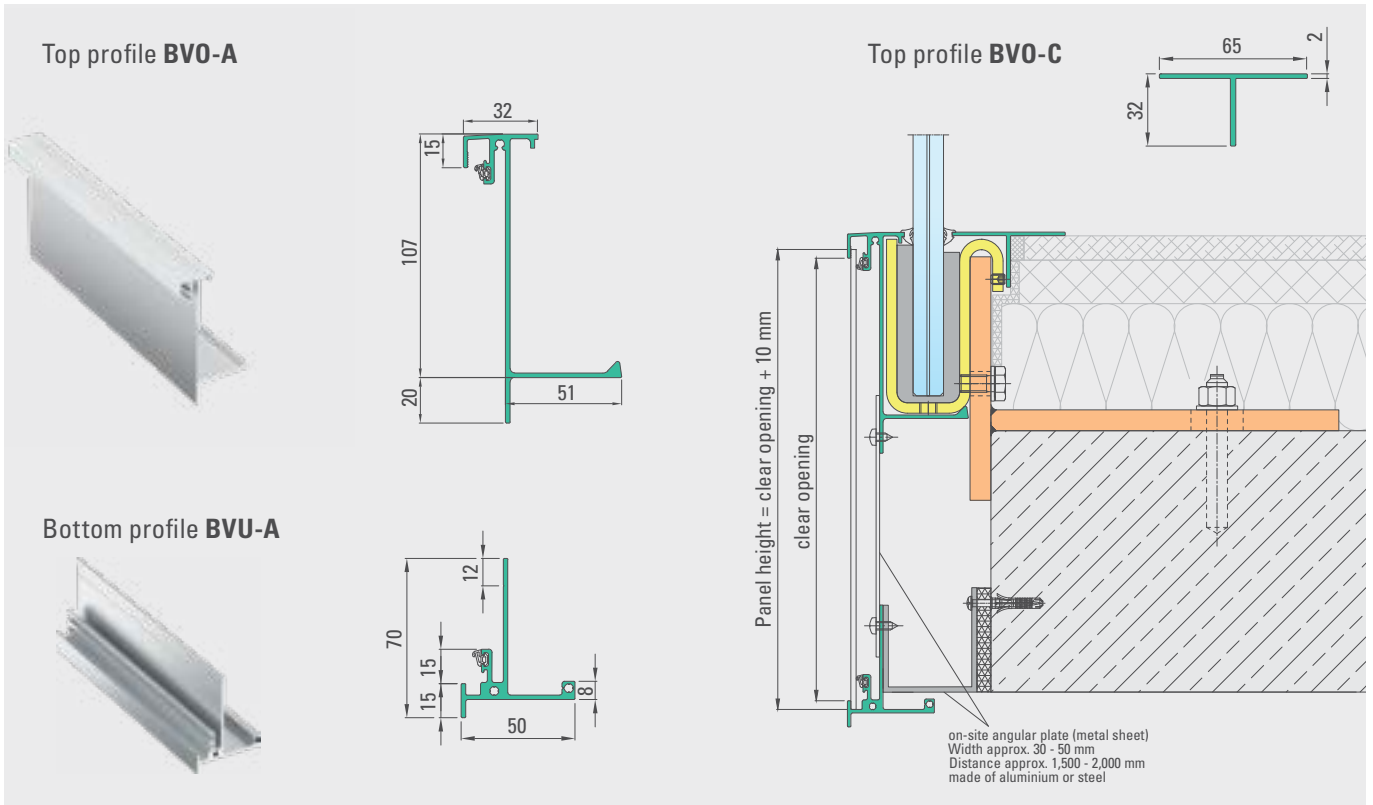


Welding the support profile onto the building connection element see Page 6.  
Fastener spacing 400 or 800 mm, see tables Page 64-65.



# System 5

Profiles for on-site structural cladding



Panel thickness 3 - 5 mm.

For assembly instructions, see page 84 ff.

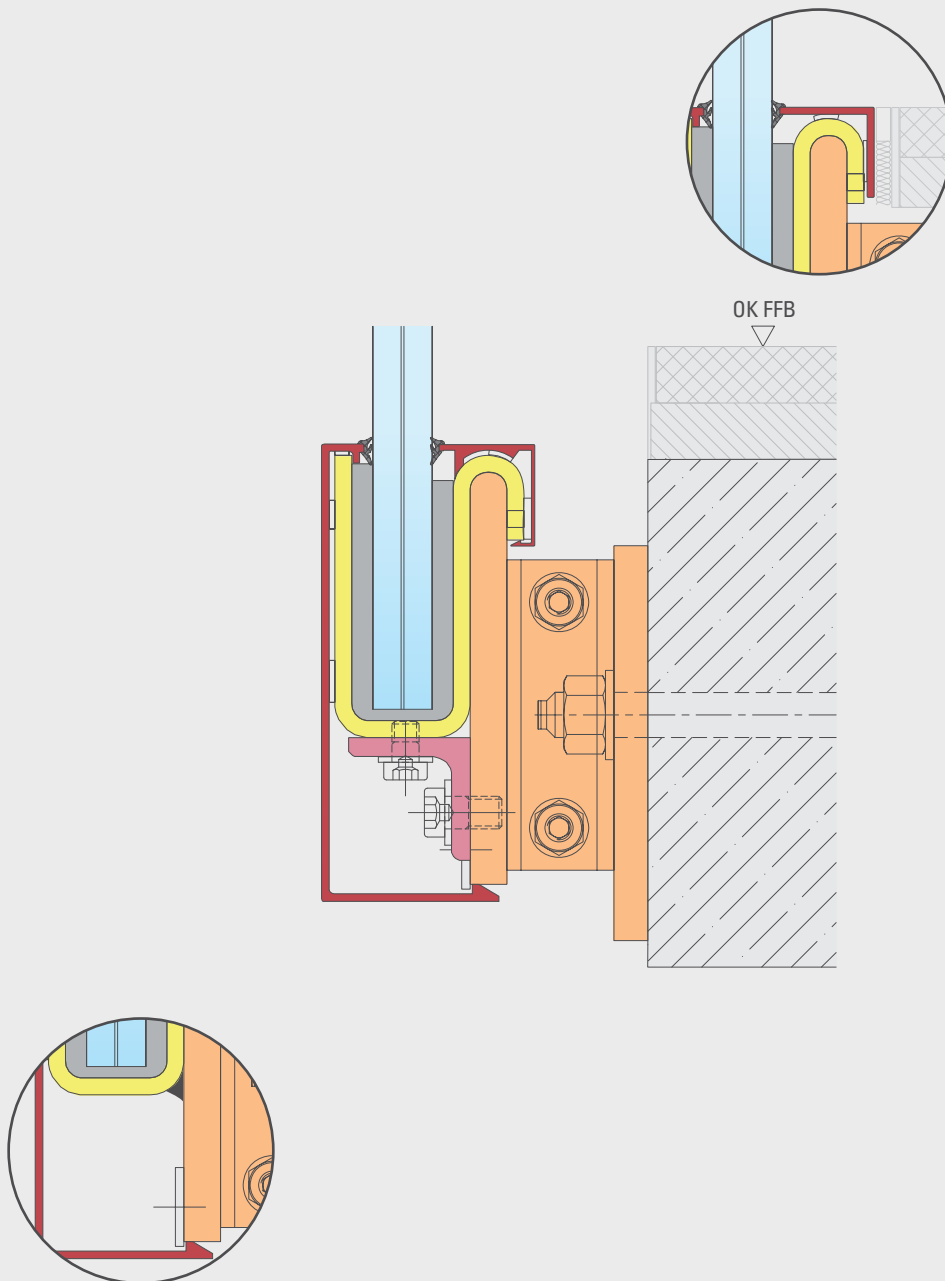


### System 6

Master plan


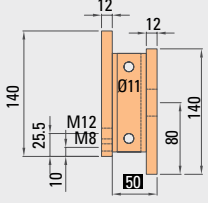
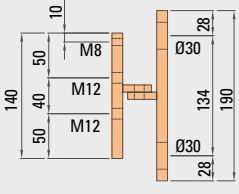
**Side connection**, bolted or welded

**Distance 50 mm to the building structure**



### System 6

Structural connection element and trim set (distance **50 mm** to the building structure)


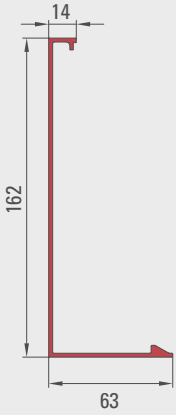




- Material: Steel, S355
- Surface: galvanised



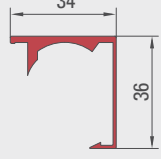
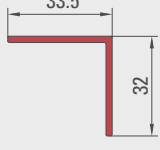
BI 140 x 12 · Length = 190 mm  
 BI 140 x 12 · Length = 140 mm  
 2 BI 29 x 8 · Length = 110 mm

M 12: for bolting the bracket  
 Ø 30: for dowel fastening  
 M 8: for fastening the trim

#### Outer trim clip-on profile

#### Inner trim clip-on profile and connection bracket

- Material: Aluminium
- Delivery length: 3,000 mm

▪ Surface

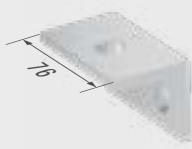
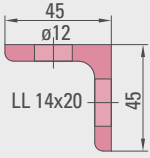
- "Natural" untreated
- stainless steel effect (E6EV1)
- RAL or special colour, powder-coated or anodised

#### Splice plate




For details about the splice plates see Page 82-83.

#### Bracket for bolting from underneath

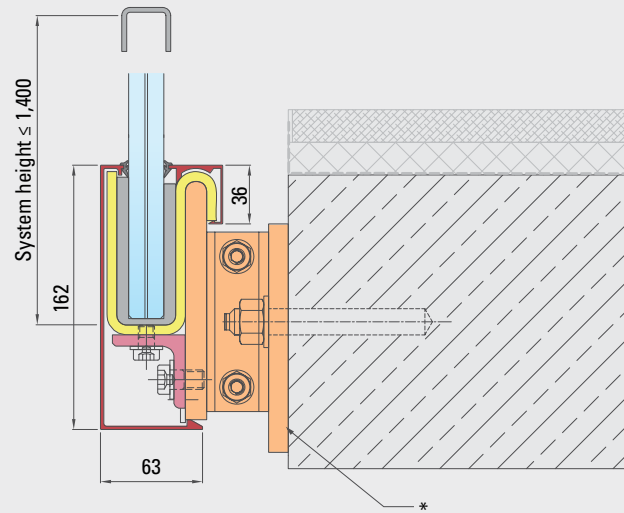



- Material: Steel, S355
- Surface: galvanised

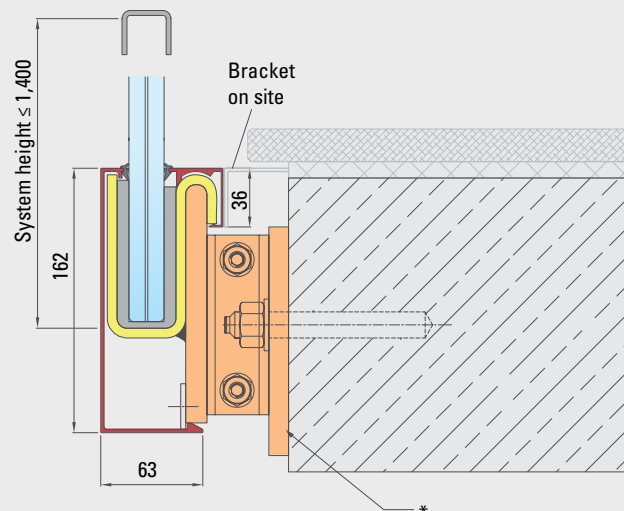
### System 6

Application examples

1



2



\* Pressure-resistant thermal separation (e.g. Thermostop)



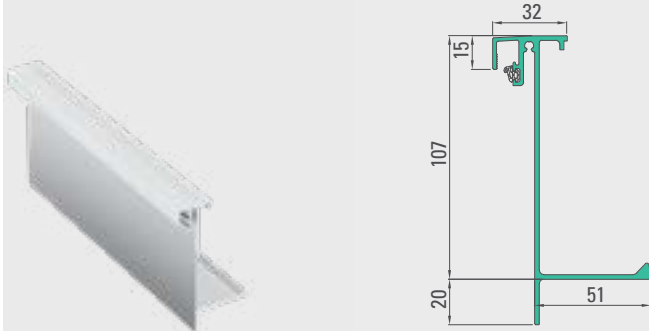
Welding the support profile onto the building connection element see Page 6.  
Fastener spacing 400 or 800 mm, see tables Page 64-65.



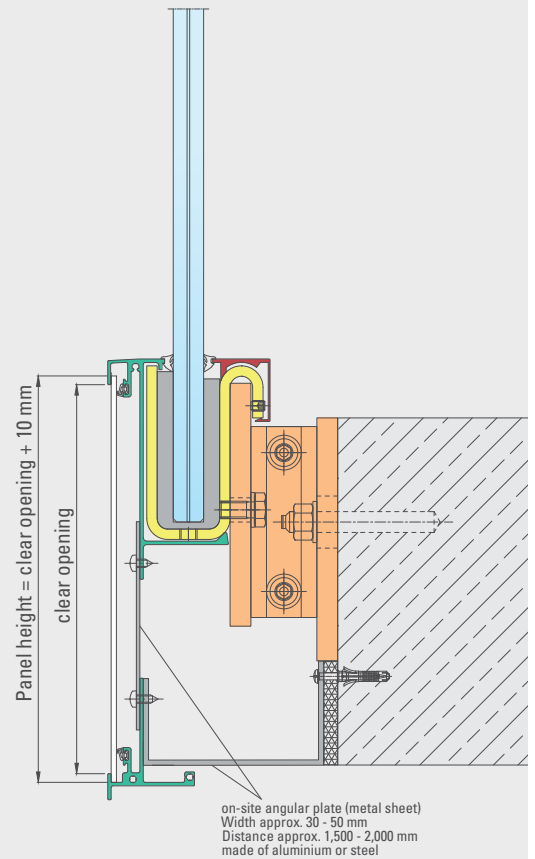
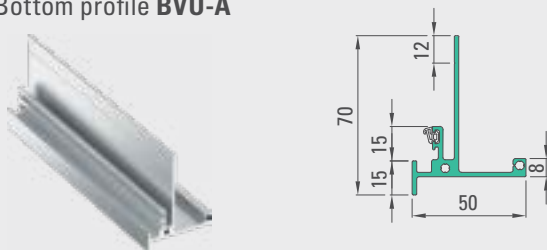
## System 6

Profiles for on-site structural cladding

Top profile **BVO-A**



Bottom profile **BVU-A**



Panel thickness 3 – 5 mm.

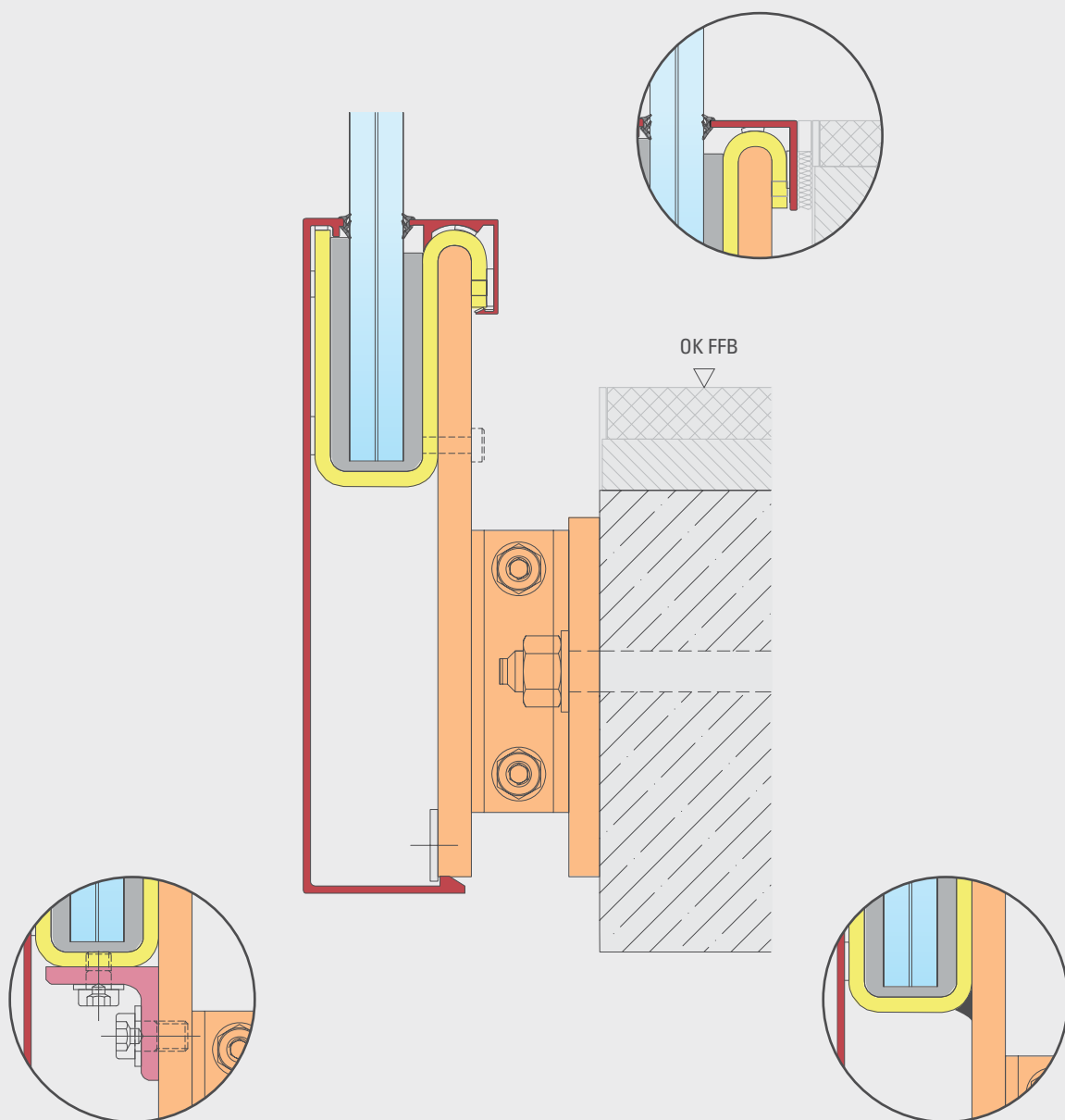
For assembly instructions, see page 84 ff.

### System 7

Master plan


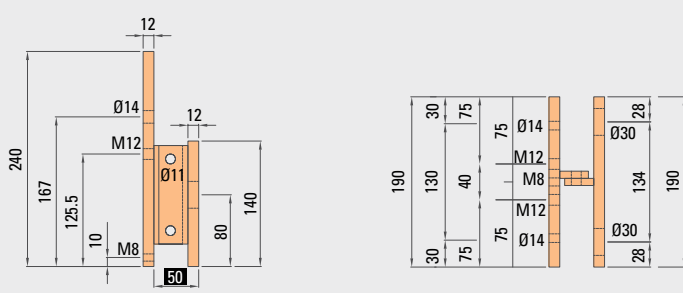
**Side connection, bolted or welded**

**Distance 50 mm to the building structure**



### System 7

Structural connection element and trim set (distance **50 mm** to the building structure)






- Material: Steel, S355
- Surface: galvanised


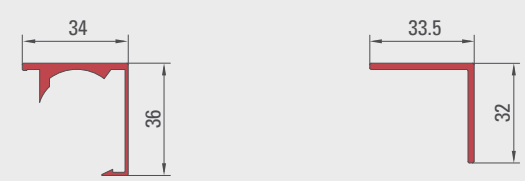
BI 140 x 12 · Length = 190 mm  
 BI 240 x 12 · Length = 190 mm  
 2 BI 29 x 8 · Length = 110 mm

Ø 14: for bolting onto the support profile  
 M 12: for bolting the bracket  
 Ø 30: for dowel fastening  
 M 8: for fastening the trim

#### Outer trim clip-on profile

#### Inner trim clip-on profile and connection bracket

- Material: Aluminium
- Delivery length: 3,000 mm

▪ Surface

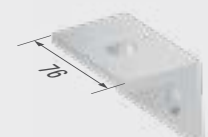
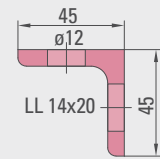
- "Natural" untreated
- stainless steel effect (E6EV1)
- RAL or special colour, powder-coated or anodised

#### Splice plate



For details about the splice plates see Page 82-83.

#### Bracket for bolting from underneath

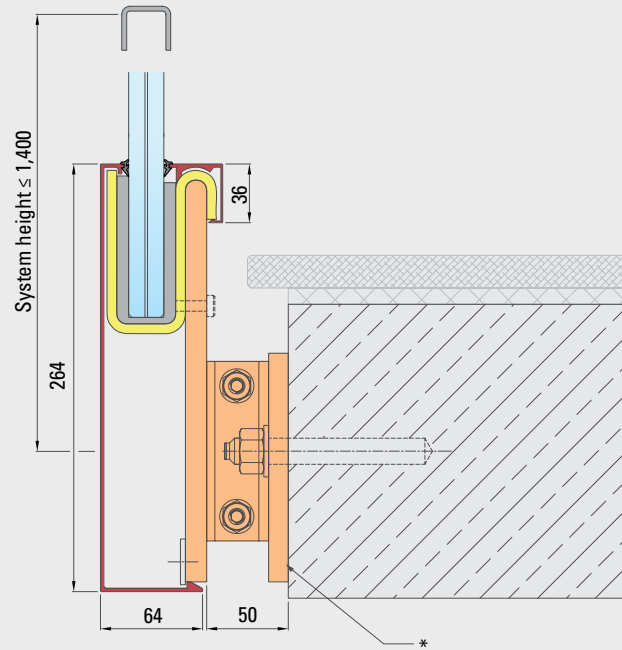



- Material: Steel, S355
- Surface: galvanised

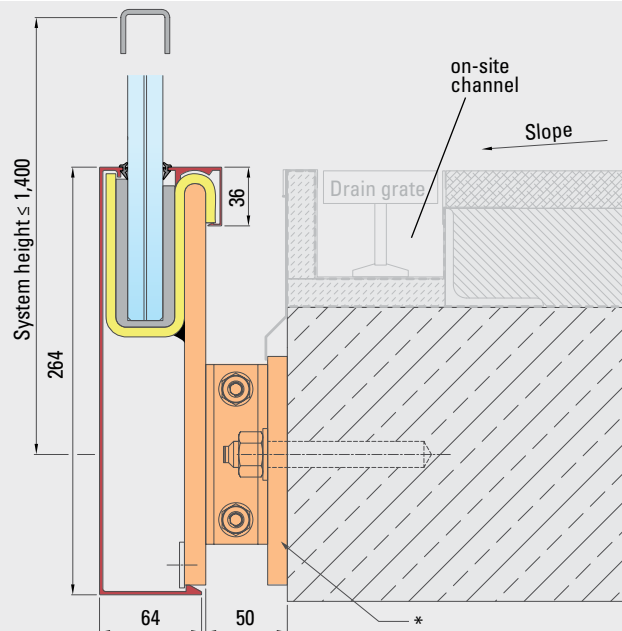
### System 7

Application examples

1



2



\* Pressure-resistant thermal separation (e.g. Thermostop)

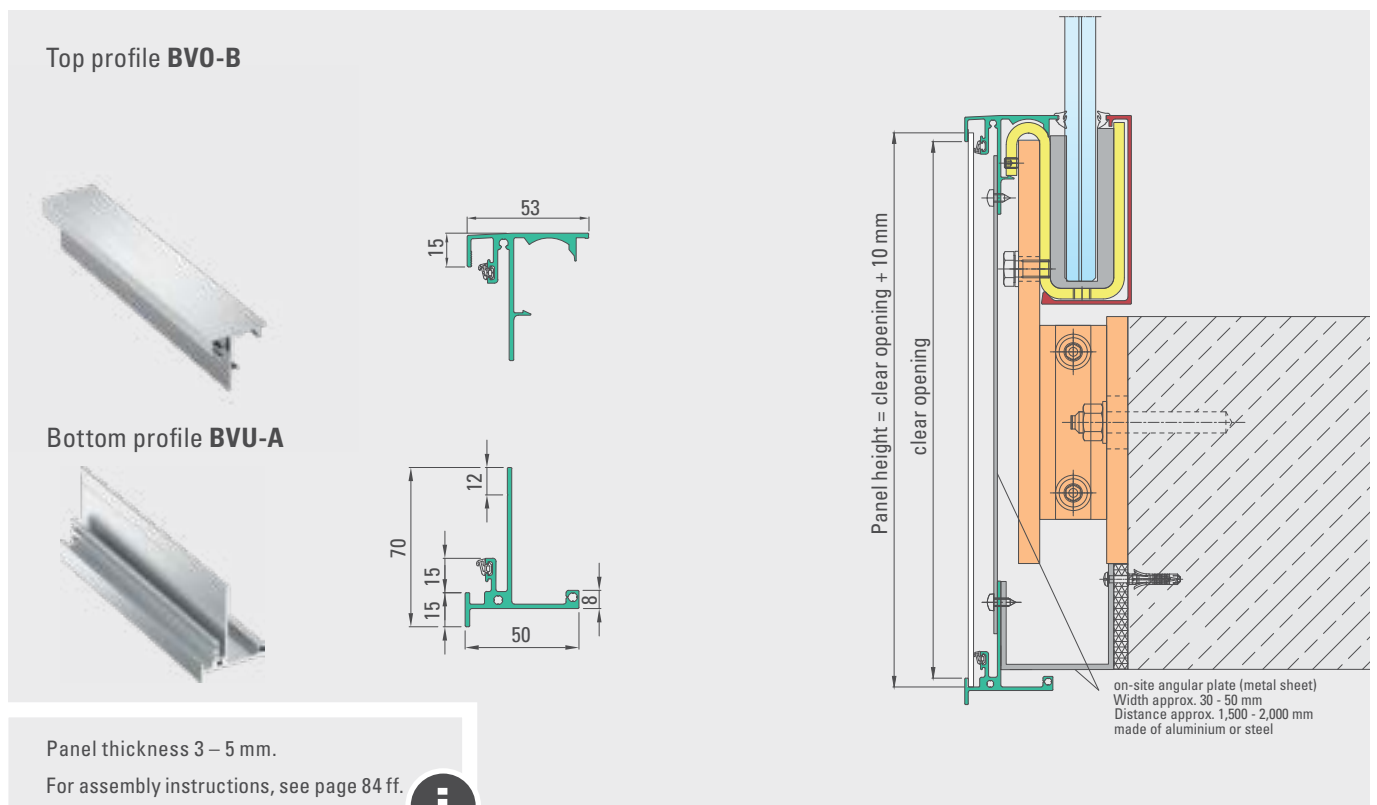
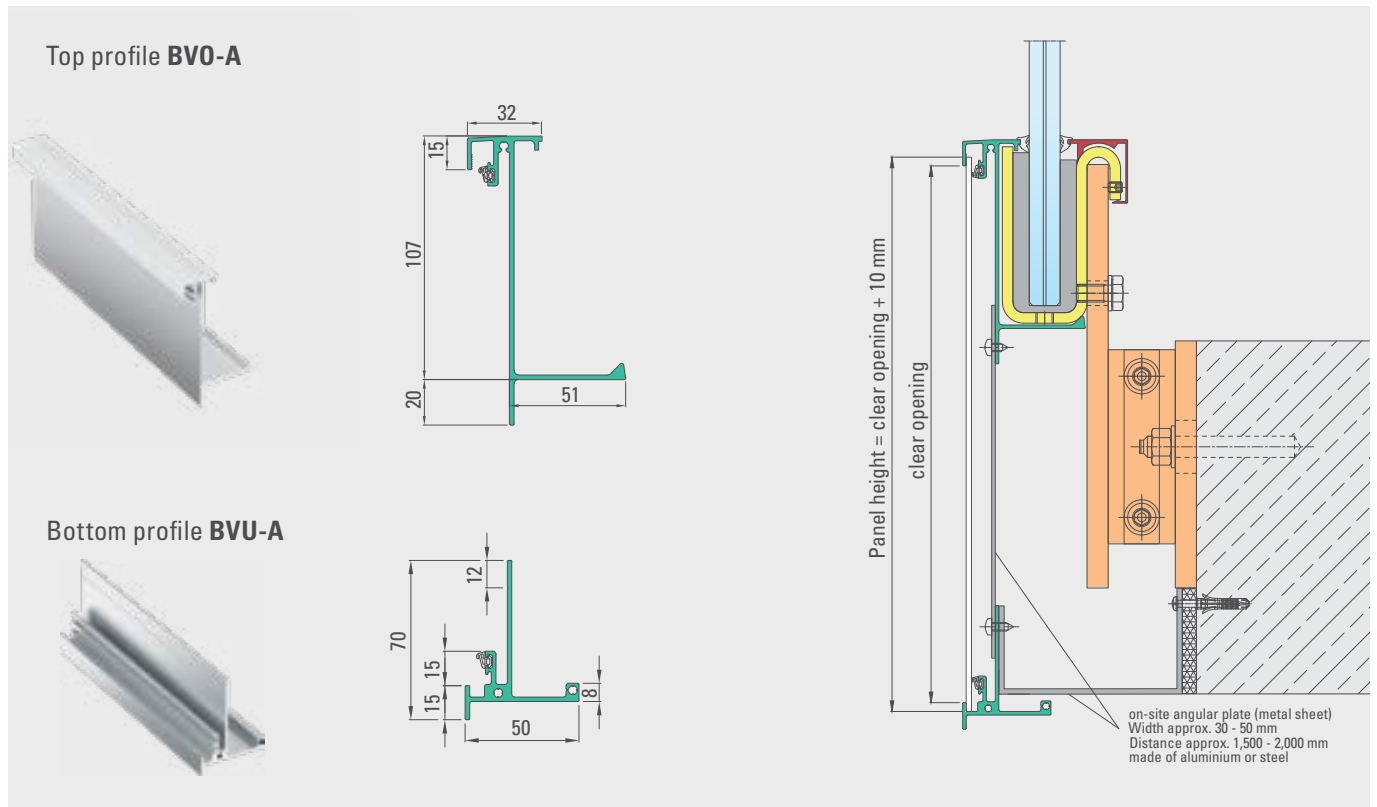


Welding the support profile onto the building connection element see Page 6.

Fastener spacing 400 or 800 mm, see tables Page 64-65.

## System 7

Profiles for on-site structural cladding



Panel thickness 3 – 5 mm.

For assembly instructions, see page 84 ff.

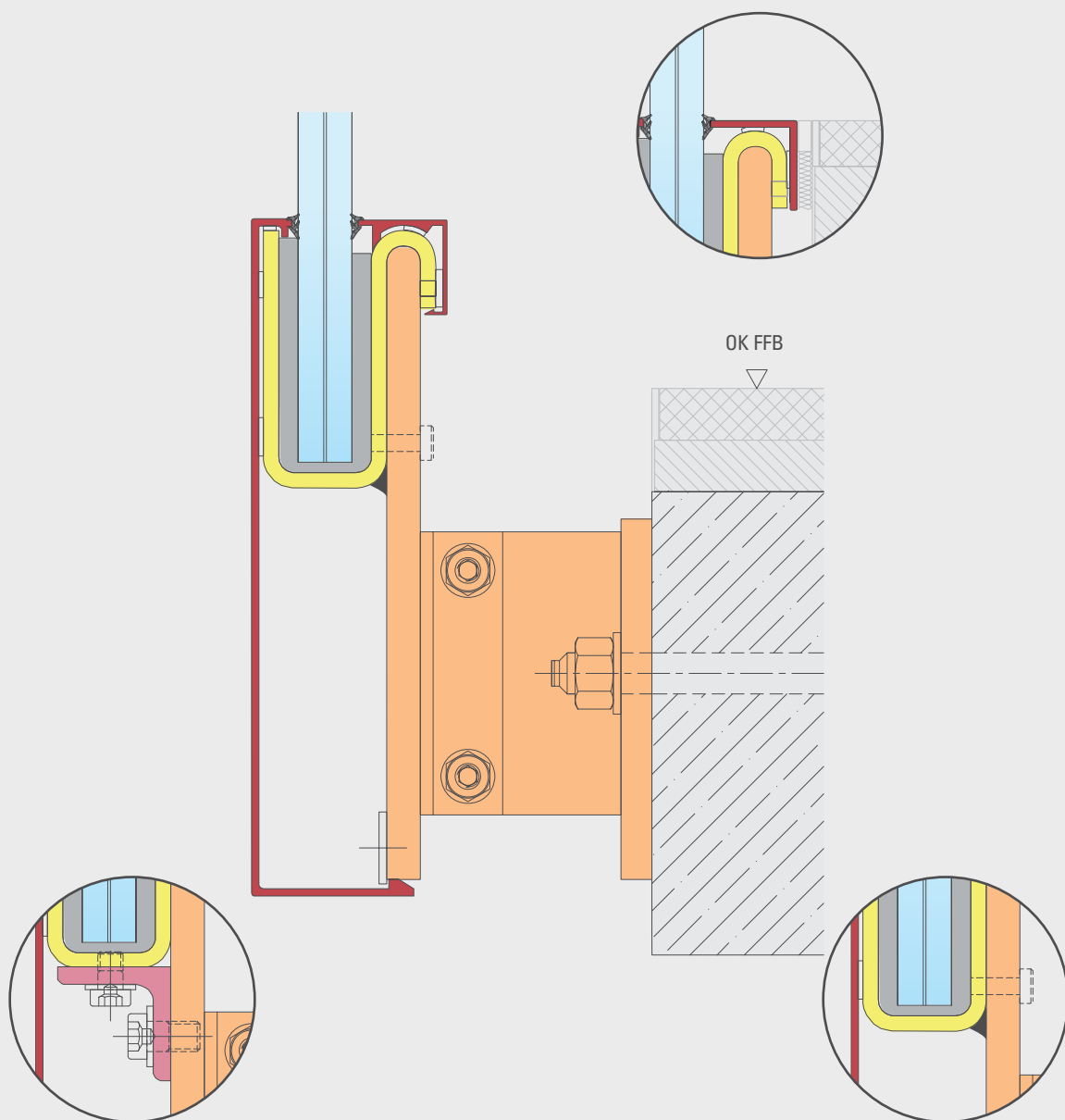


### System 8

Master plan

**Side connection**, bolted or welded

**Distance 90 mm to the building structure**



### System 8

Structural connection element and trim set (distance **90 mm** to the building structure)

- Material: Steel, S355
- Surface: galvanised

BI 140 x 12 · Length = 190 mm  
 BI 240 x 12 · Length = 190 mm  
 BI 29 x 8 · Length = 110 mm  
 BI 72 x 8 · Length = 110 mm

Ø 14: for bolting onto the support profile  
 M 12: for bolting the bracket  
 Ø 30: for dowel fastening  
 M 8: for fastening the trim

#### Outer trim clip-on profile

- Material: Aluminium
- Delivery length: 3,000 mm

#### Inner trim clip-on profile and connection bracket

- Surface
  - "Natural" untreated
  - stainless steel effect (E6EV1)
  - RAL or special colour, powder-coated or anodised

#### Splice plate

For details about the splice plates see Page 82-83.

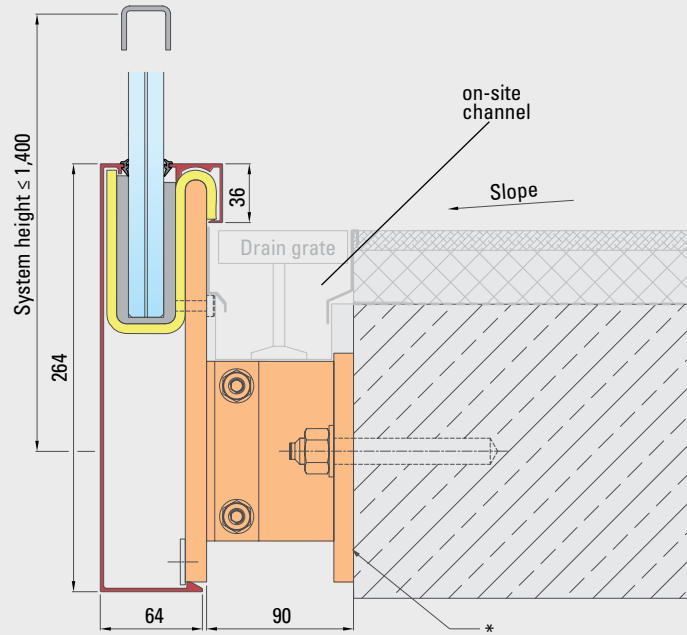
#### Bracket for bolting from underneath

- Material: Steel, S355
- Surface: galvanised

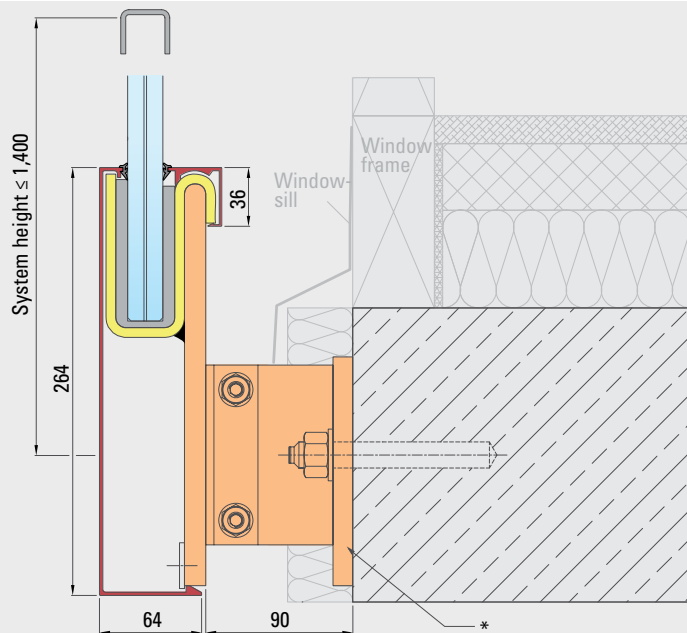
### System 8

Application examples

1



2



\* Pressure-resistant thermal separation (e.g. Thermostop)



Welding the support profile onto the building connection element see Page 6.

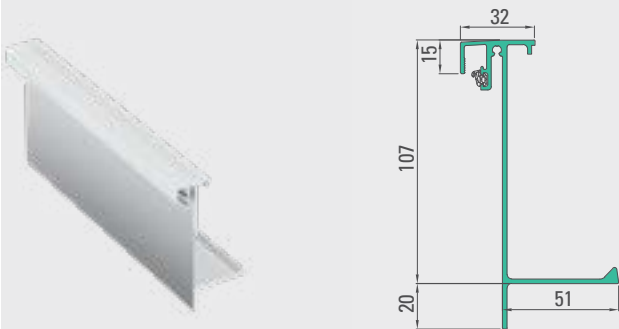
Fastener spacing 400 or 800 mm, see tables Page 64-65.



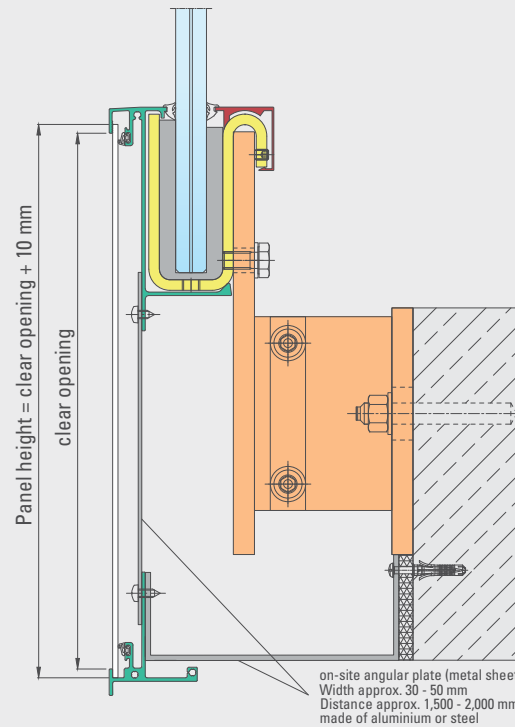
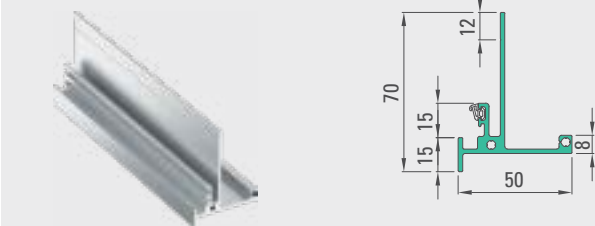
## System 8

Profiles for on-site structural cladding

Top profile **BV0-A**



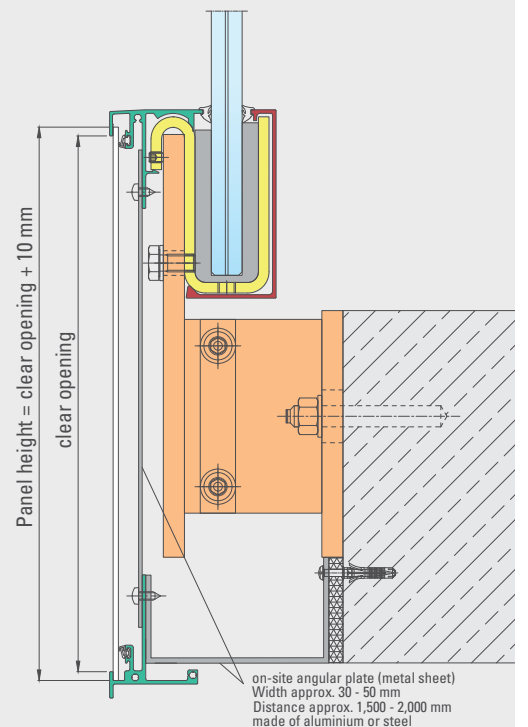
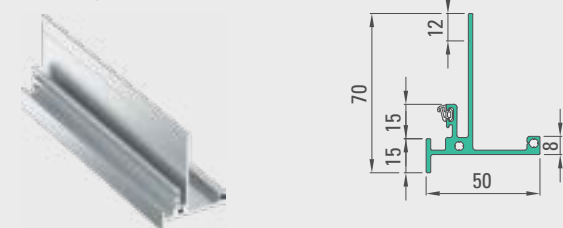
Bottom profile **BVU-A**



Top profile **BV0-B**



Bottom profile **BVU-A**



Panel thickness 3 – 5 mm.

For assembly instructions, see page 84 ff

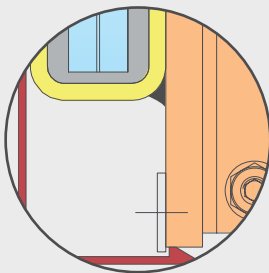
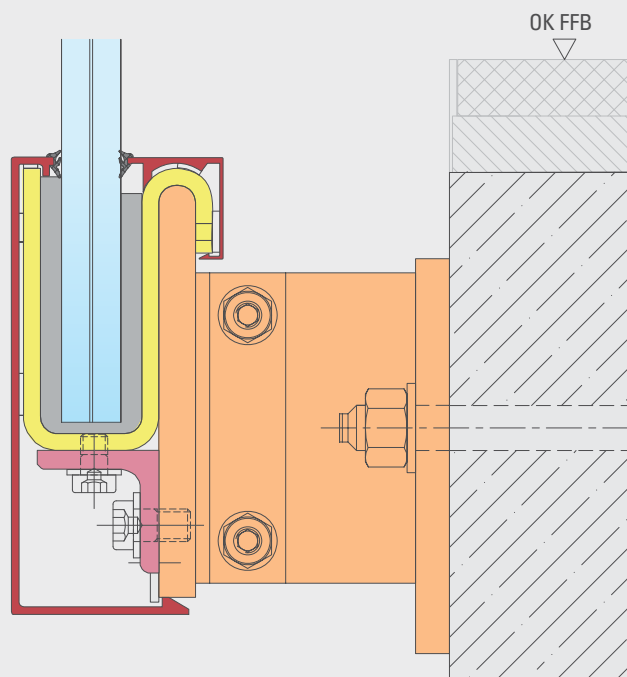
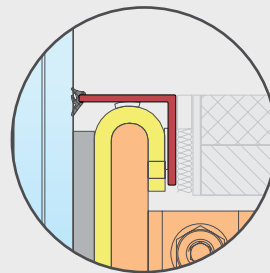


### System 9

Master plan


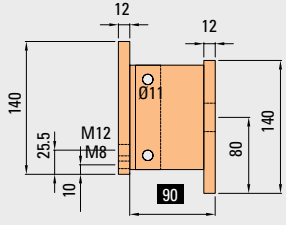
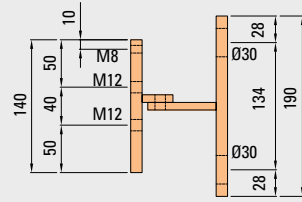
**Side connection**, bolted or welded

**Distance 90 mm to the building structure**



### System 9

Structural connection element and trim set (distance **90 mm** to the building structure)


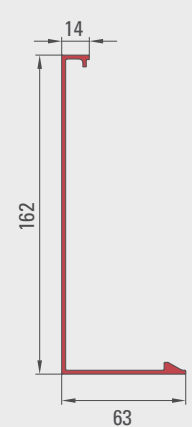




- Material: Steel, S355
- Surface: galvanised



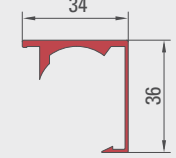
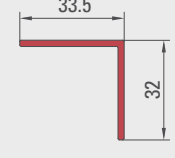
BI 140 x 12 · Length = 190 mm  
 BI 140 x 12 · Length = 140 mm  
 BI 29 x 8 · Length = 110 mm  
 BI 72 x 8 · Length = 110 mm

M 12: for bolting the bracket  
 Ø 30: for dowel fastening  
 M 8: for fastening the trim

#### Outer trim clip-on profile

#### Inner trim clip-on profile and connection bracket








- Material: Aluminium
- Delivery length: 3,000 mm

▪ Surface

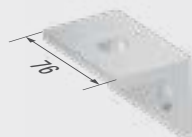
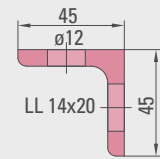
- "Natural" untreated
- stainless steel effect (E6EV1)
- RAL or special colour, powder-coated or anodised

#### Splice plate

For details about the splice plates see Page 82-83.

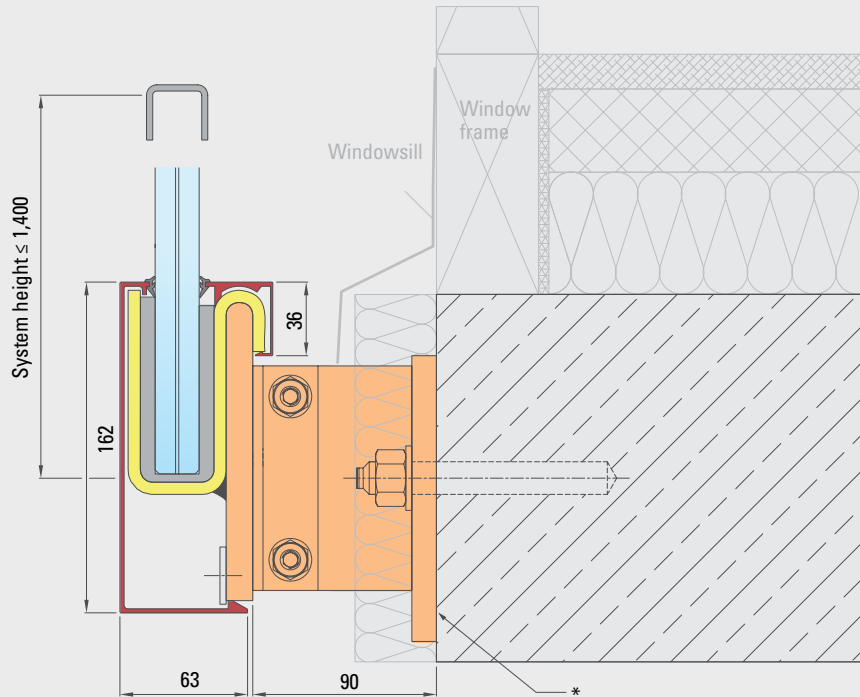
#### Bracket for bolting from underneath

- Material: Steel, S355
- Surface: galvanised

### System 9

Application examples



\* Pressure-resistant thermal separation (e.g. Thermostop)

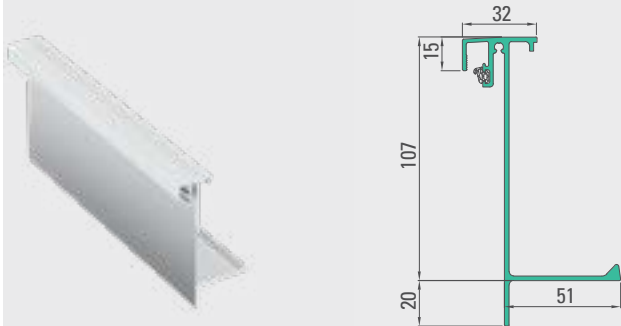


Welding the support profile onto the building connection element see Page 6.  
Fastener spacing 400 or 800 mm, see tables Page 64-65.

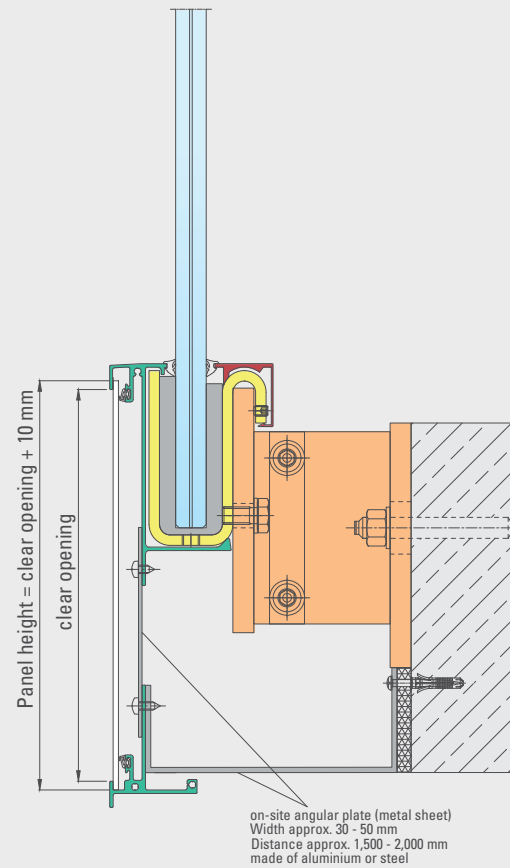
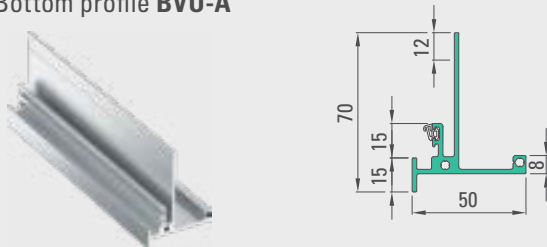
## System 9

Profiles for on-site structural cladding

Top profile **BV0-A**



Bottom profile **BVU-A**



Panel thickness 3 – 5 mm.

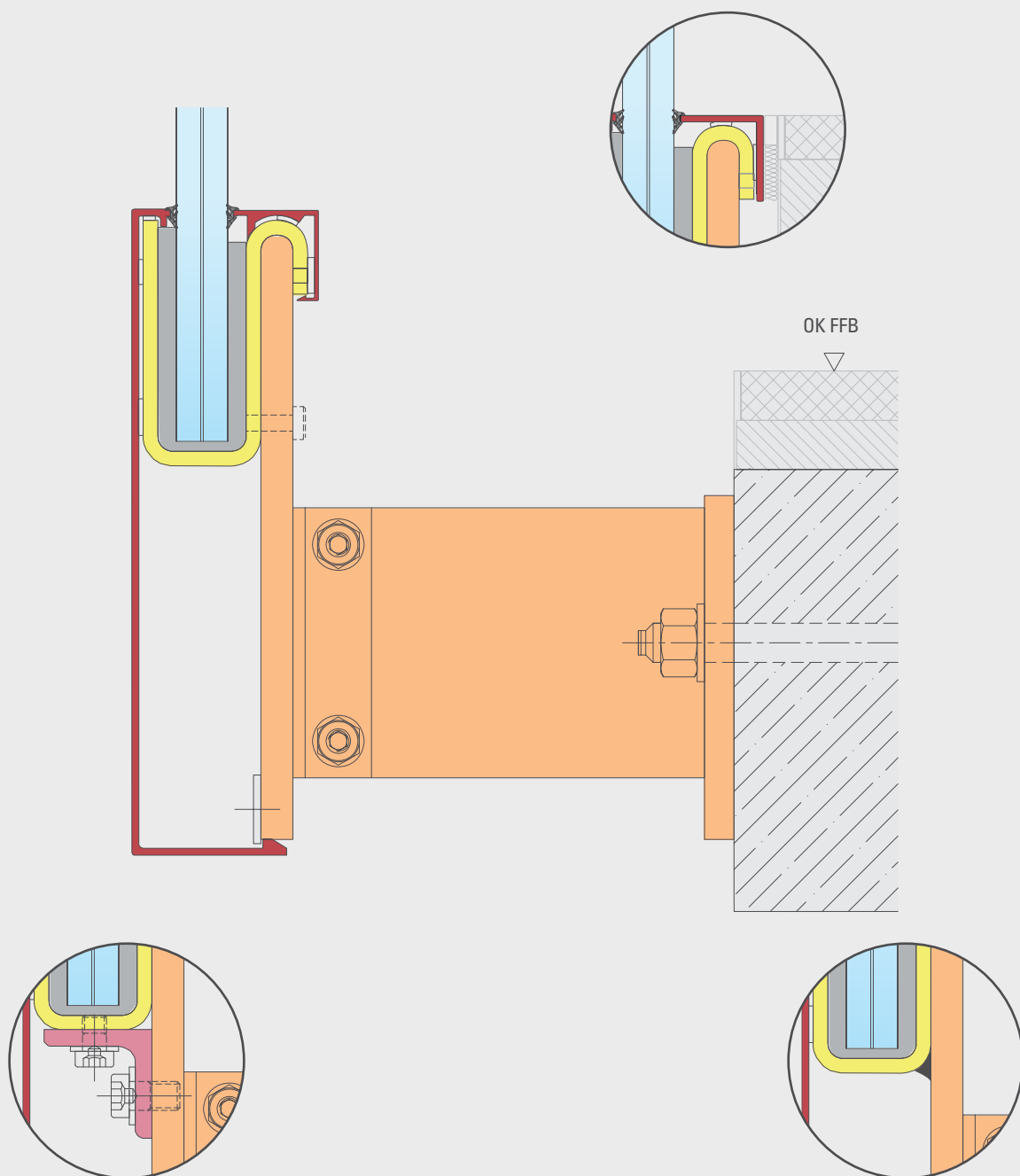
For assembly instructions, see page 84 ff.

## System 10

Master plan


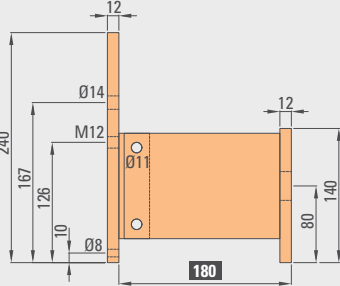
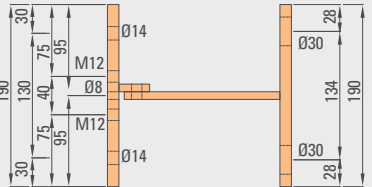
**Side connection**, bolted or welded

**Distance 180 mm to the building structure**



### System 10

Structural connection element and trim set (distance **180 mm** to the building structure)


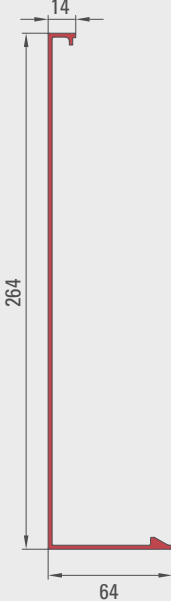




- Material: Steel, S355
- Surface: galvanised



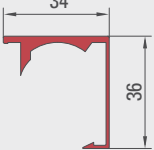
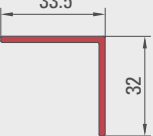
BI 140 x 12 · Length = 190 mm  
 BI 240 x 12 · Length = 190 mm  
 BI 29 x 8 · Length = 110 mm  
 BI 162 x 8 · Length = 110 mm

Ø 14: for bolting onto the support profile  
 M 12: for bolting the bracket  
 Ø 30: for dowel fastening  
 M 8: for fastening the trim

#### Outer trim clip-on profile

#### Inner trim clip-on profile and connection bracket








- Material: Aluminium
- Delivery length: 3,000 mm

Surface:
 

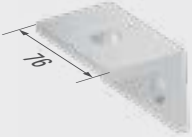
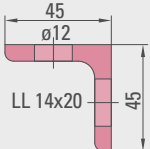
- "Natural" untreated
- stainless steel effect (E6EV1)
- RAL or special colour, powder-coated or anodised

#### Splice plate

For details about the splice plates see Page 82-83.

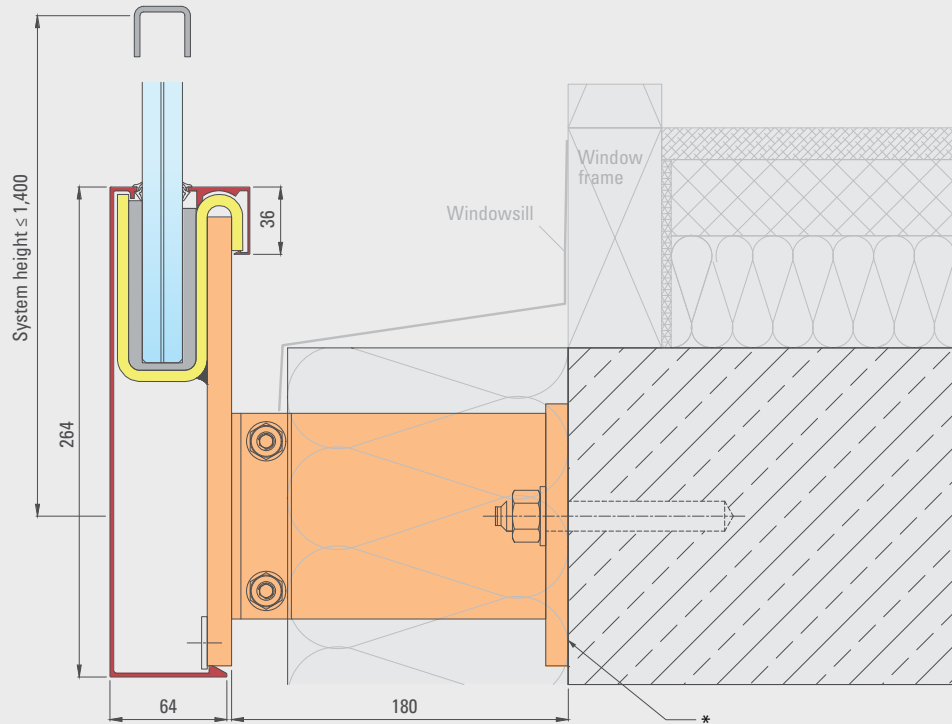
#### Bracket for bolting from underneath

- Material: Steel, S355
- Surface: galvanised

### System 10

Application examples



\* Pressure-resistant thermal separation (e.g. Thermostop)



Welding the support profile onto the building connection element see Page 6.


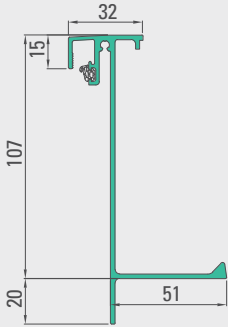
Fastener spacing 400 or 800 mm, see tables Page 64-65.




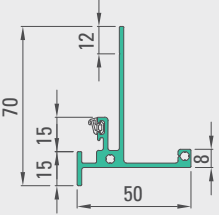
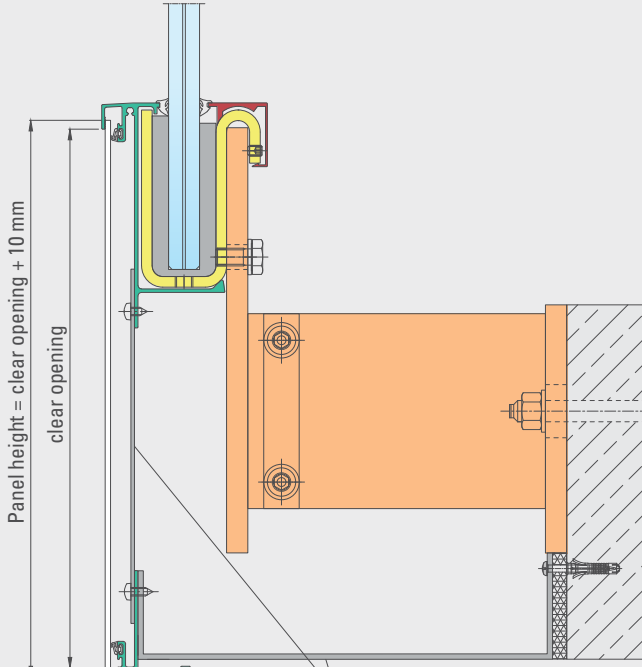
# System 10

Profiles for on-site structural cladding

**Top profile BVO-A**

**Bottom profile BVU-A**


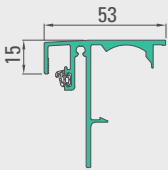




Panel height = clear opening + 10 mm


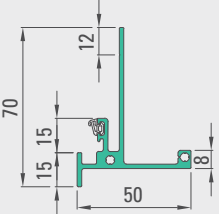
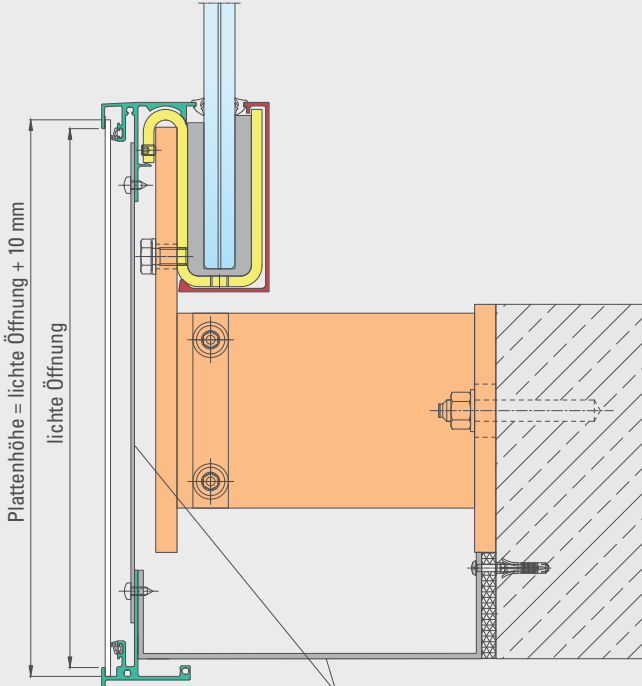
clear opening

on-site angular plate (metal sheet)  
Width approx. 30 - 50 mm  
Distance approx. 1,500 - 2,000 mm  
made of aluminium or steel

**Top profile BVO-B**

**Bottom profile BVU-A**

Plattenhöhe = lichte Öffnung + 10 mm

lichte Öffnung

on-site angular plate (metal sheet)  
Width approx. 30 - 50 mm  
Distance approx. 1,500 - 2,000 mm  
made of aluminium or steel

Panel thickness 3 - 5 mm.  
For assembly instructions, see page 84 ff.

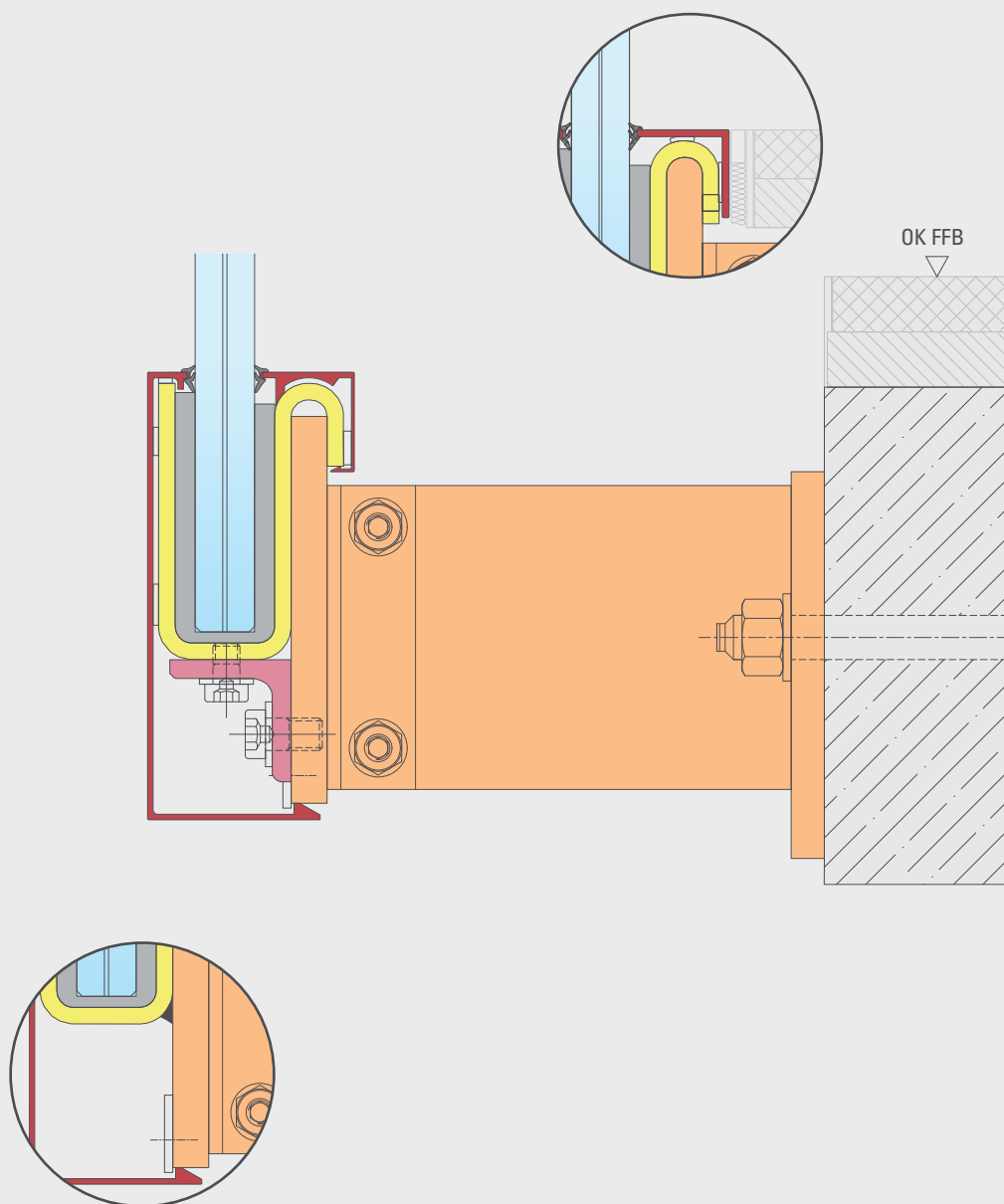


### System 11

Master plan

**Side connection**, bolted or welded

**Distance 180 mm to the building structure**



## System 11

Structural connection element and trim set (distance **180 mm** to the building structure)

- Material: Steel, S355
- Surface: galvanised

BI 140 x 12 · Length = 190 mm  
 BI 140 x 12 · Length = 140 mm  
 BI 29 x 8 · Length = 110 mm  
 BI 162 x 8 · Length = 110 mm

M 12: for bolting the bracket  
 Ø 30: for dowel fastening  
 M 8: for fastening the trim

### Outer trim clip-on profile

### Inner trim clip-on profile and connection bracket

- Material: Aluminium
- Delivery length: 3,000 mm

- Surface
  - "Natural" untreated
  - stainless steel effect (E6EV1)
  - RAL or special colour, powder-coated or anodised

### Splice plate

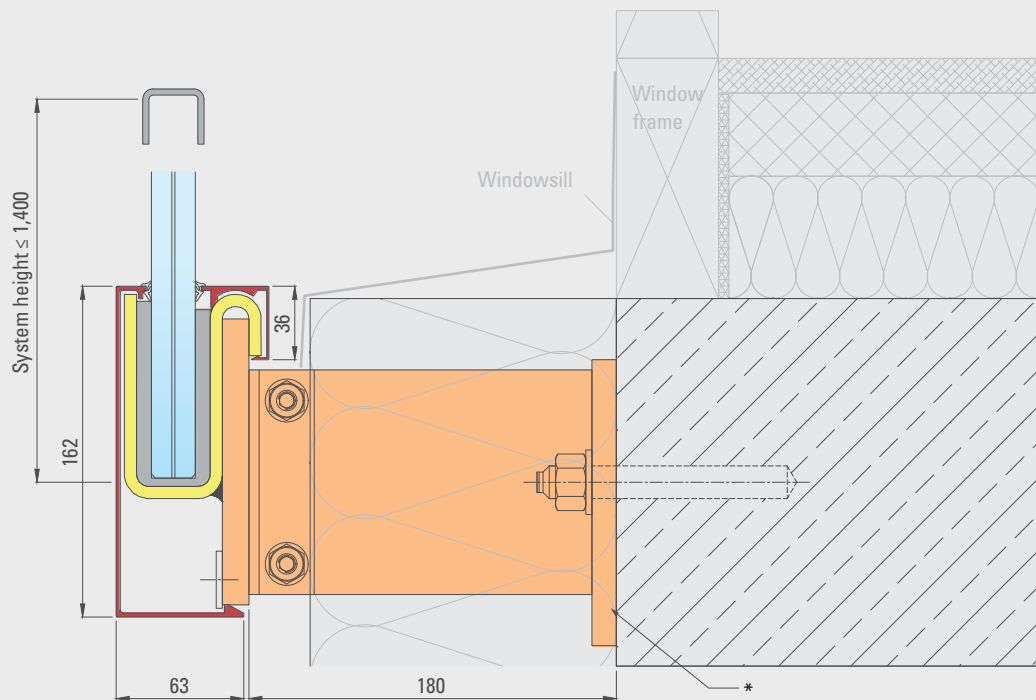
For details about the splice plates see Page 82-83.

### Bracket for bolting from underneath

- Material: Steel, S355
- Surface: galvanised

### System 11

Application examples



\* Pressure-resistant thermal separation (e.g. Thermostop)



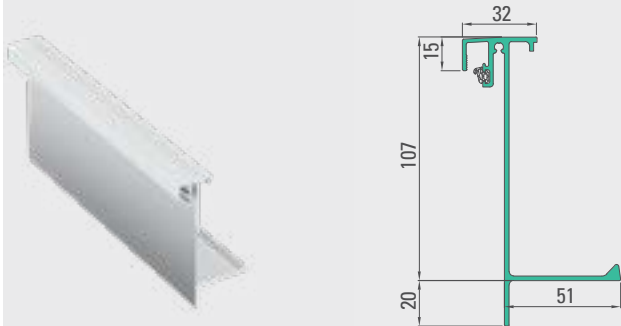
Welding the support profile onto the building connection element see Page 6.  
Fastener spacing 400 or 800 mm, see tables Page 64-65.



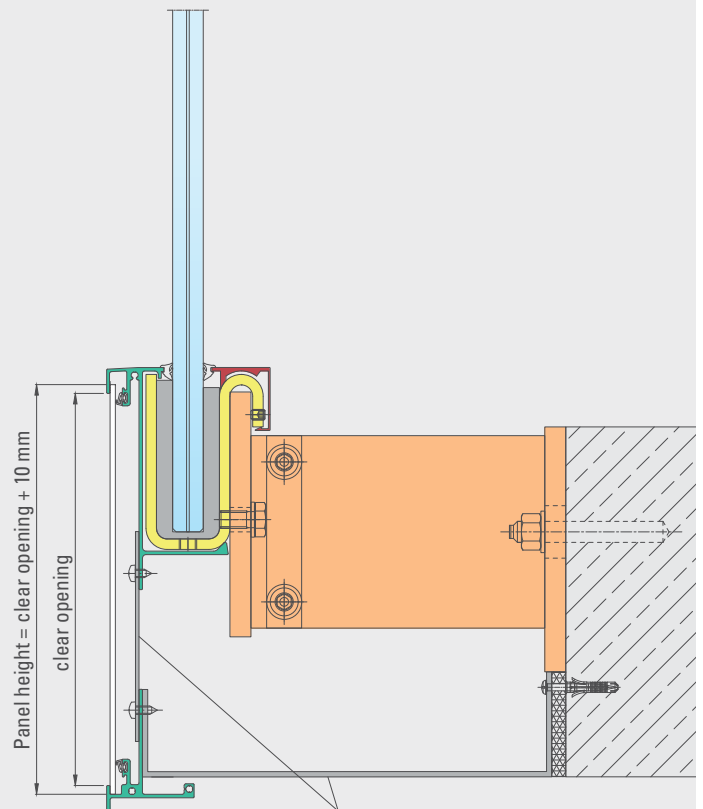
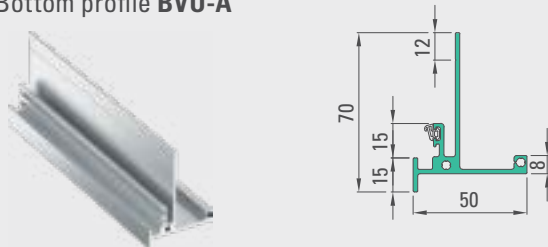
# System 11

Profiles for on-site structural cladding

Top profile **BV0-A**



Bottom profile **BVU-A**



on-site angular plate (metal sheet)  
Width approx. 30 - 50 mm  
Distance approx. 1,500 - 2,000 mm  
made of aluminium or steel

Panel thickness 3 – 5 mm.

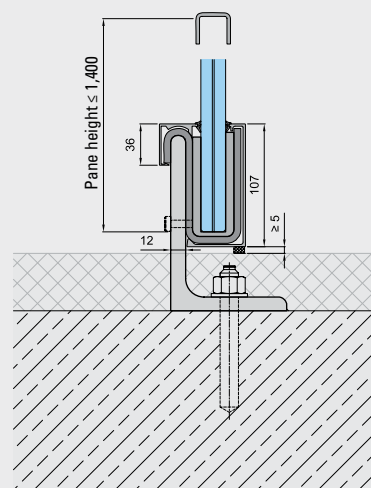
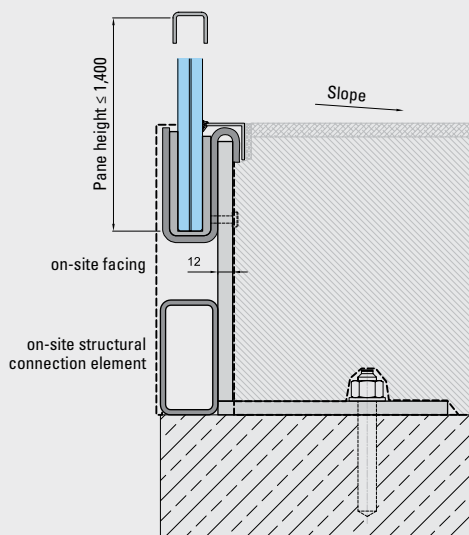
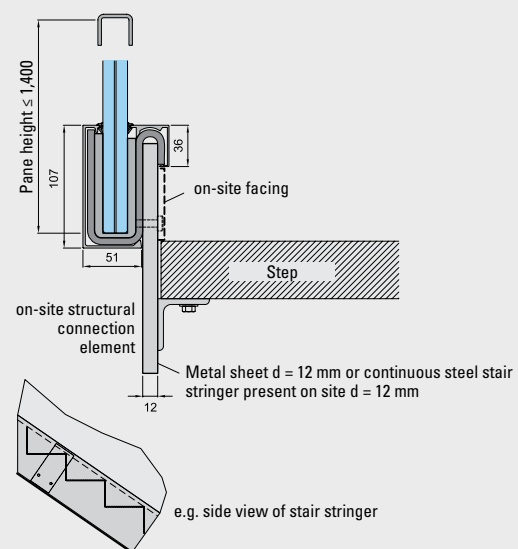
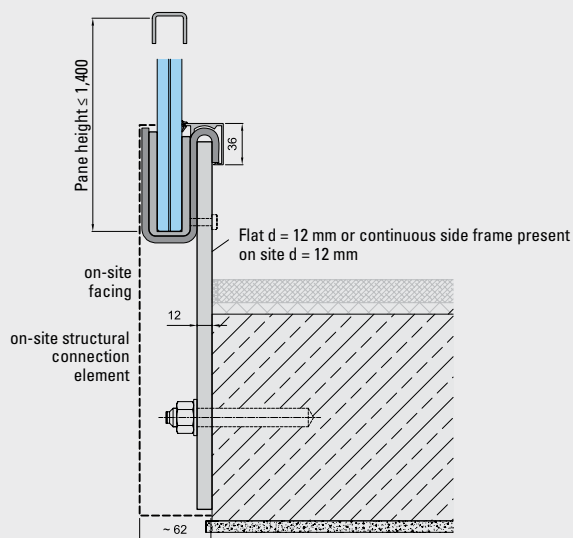
For assembly instructions, see page 84 ff.

### Proposed solutions for on-site connections

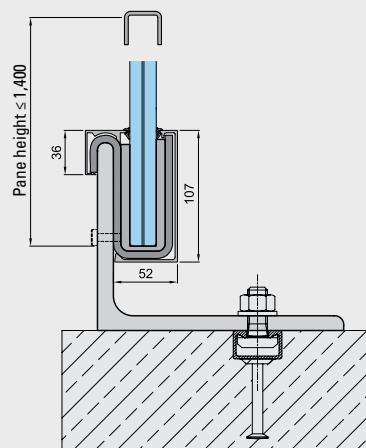
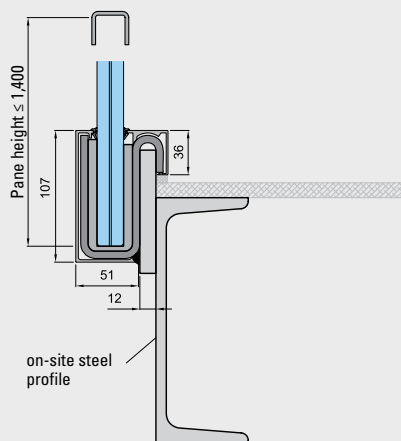
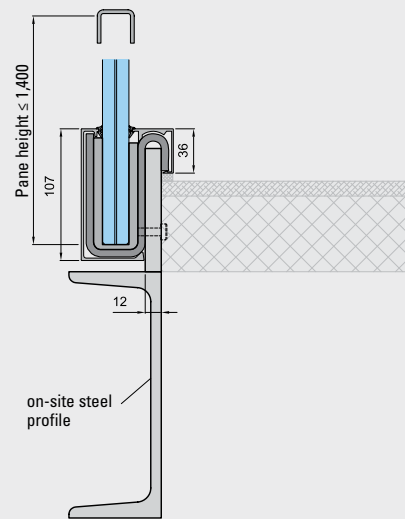
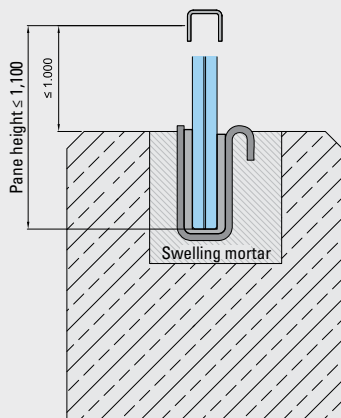
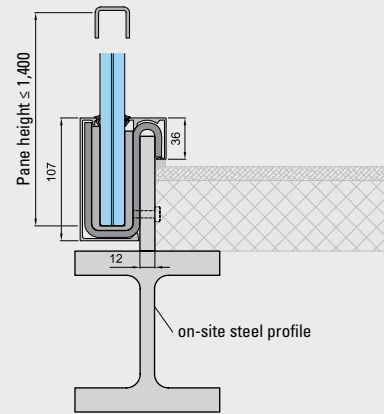
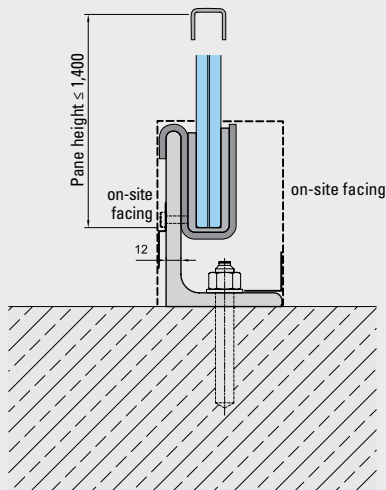
The use of **BALARDO steel** structural connection elements 1 to 11 is not essential to comply with the European Technical Assessment (ETA) – the latter is also effective for individual structural connections.

Consequently, all kinds of building connections can be made to suit the specific project. Planners and executors are completely free to choose, however they must structurally calculate these according to the relevant installation situation with regard to load introduction and load transfer. The same also applies to inner and outer trims: These are irrelevant to the system!

Whether in aluminium, stainless steel, plasterboard, wood or other materials – the choice is yours. This is because the on-site cladding has no effect on the general building inspection test certificate (AbP).

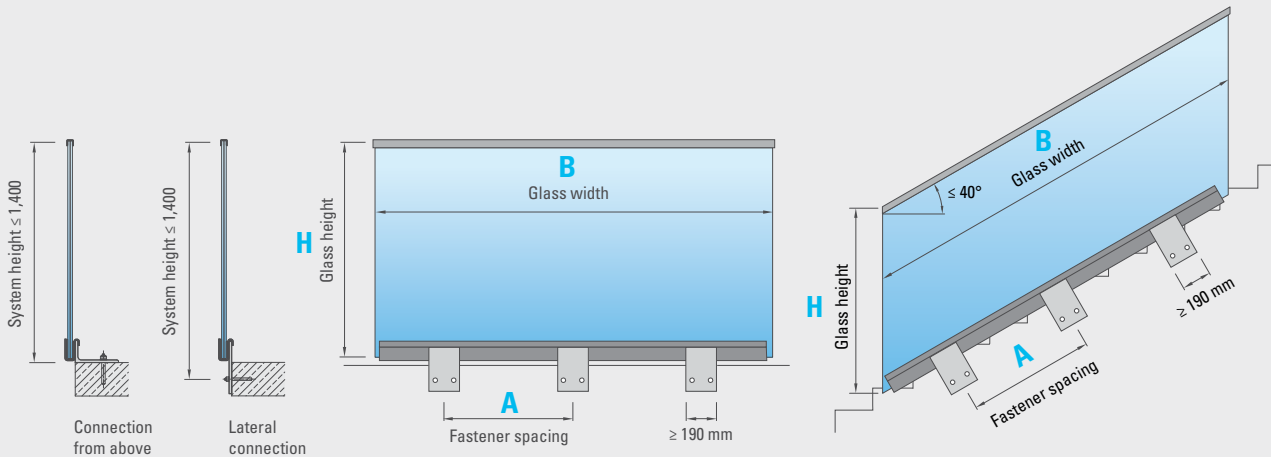


Proposed solutions

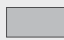


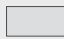
### Application and calculation tables

Private sector, top rail load up to **0.5 kN/m**



Glass	Fastener spacing A [mm]	max. glass height H [mm]	permissible wind load (kN/m <sup>2</sup> ) at glass height H							
			800	900	1,000	1,100	1,200	1,300	1,400	
Level area	LG-Float 2 x 10	≤ 800	1,400	1.75	1.25	0.90	0.60	0.35	0.15	0.00
	LG-TG 2 x 8	≤ 800	1,400	2.90	2.60	1.90	1.50	1.20	0.95	0.75
	LG-TG 2 x 10	≤ 800	1,400	2.90	2.60	2.30	2.10	1.95	1.80	1.50
Stairs	LG-TG 2 x 8	≤ 800	1,200	2.50	1.80	1.35	1.00	0.75	0.50	0.35
	LG-TG 2 x 10	≤ 800	1,400	2.90	2.60	2.30	2.00	1.60	1.30	1.05

 Possible without connection to the structure. Instead of load-transferring handrails, glass edge guard profiles or LED hand rails may also be attached. Glass width **W** up to 6,000 mm possible. Width ratio of adjacent glass panes is not limited.

 Load-distributing handrails with attachment to building structure / to load-bearing structural elements necessary! Maximum glass width **W** = 3,000 mm.  
Width ratio of adjacent glass panes in a straight line max. 1:2 or 2:1.

Using LG-heat strengthened soda lime silicate glass or printed/enamelled LG-TG instead of LG-Float is possible.

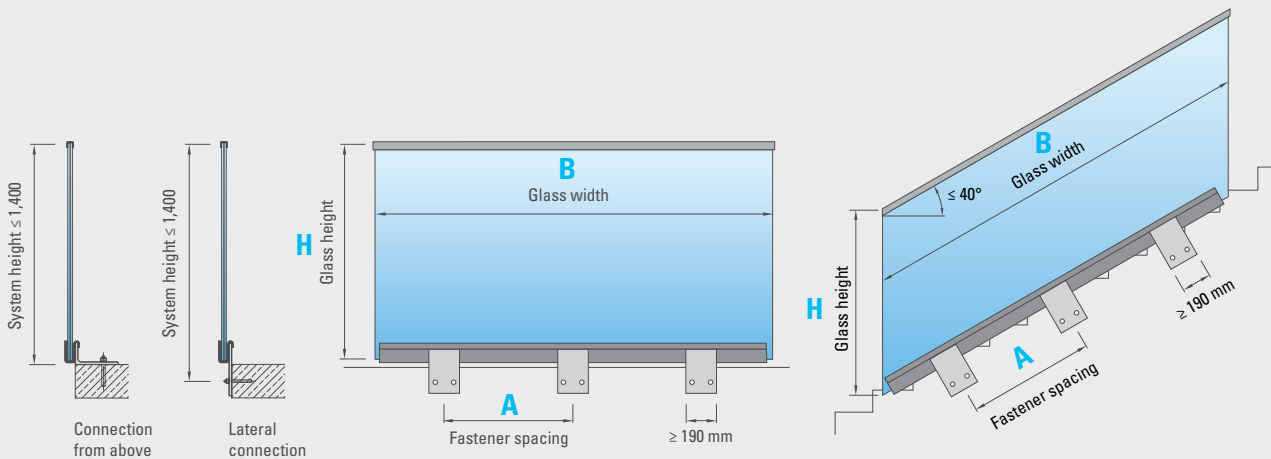
Maximum glass width with LG-Float is **B** = 1,000 mm.

Pay attention to the maximum system height of 1,400 mm.

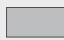


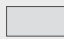


Public area, top rail load up to **1.0 kN/m**



Glass		Fastener spacing <b>A</b> [mm]	max. glass height <b>H</b> [mm]	permissible wind load (kN/m <sup>2</sup> ) at glass height <b>H</b>						
				800	900	1,000	1,100	1,200	1,300	1,400
Level area	LG-TG 2 x 8	≤ 800	1,100	2.05	1.55	0.75	0.25	-	-	-
		≤ 400	1,100	2.25	1.75	0.80	0.30	-	-	-
	LG-TG 2 x 10	≤ 800	1,400	2.05	1.80	1.60	1.50	1.35	1.20	0.85
		≤ 400	1,400	2.25	2.00	1.80	1.65	1.50	1.30	0.95
Stairs	LG-TG 2 x 10	≤ 800	1,300	2.05	1.80	1.60	0.95	0.45	0.10	-
		≤ 400	1,400	2.25	2.00	1.80	1.10	0.60	0.25	0.00

 Possible without connection to the structure. Instead of load-transferring handrails, glass edge guard profiles or LED hand rails may also be attached. Glass width **W** up to 6,000 mm possible. Width ratio of adjacent glass panes is not limited.

 Load-distributing handrails with attachment to building structure / to load-bearing structural elements necessary! Maximum glass width **W** = 3,000 mm.  
Width ratio of adjacent glass panes in a straight line max. 1:2 or 2:1.

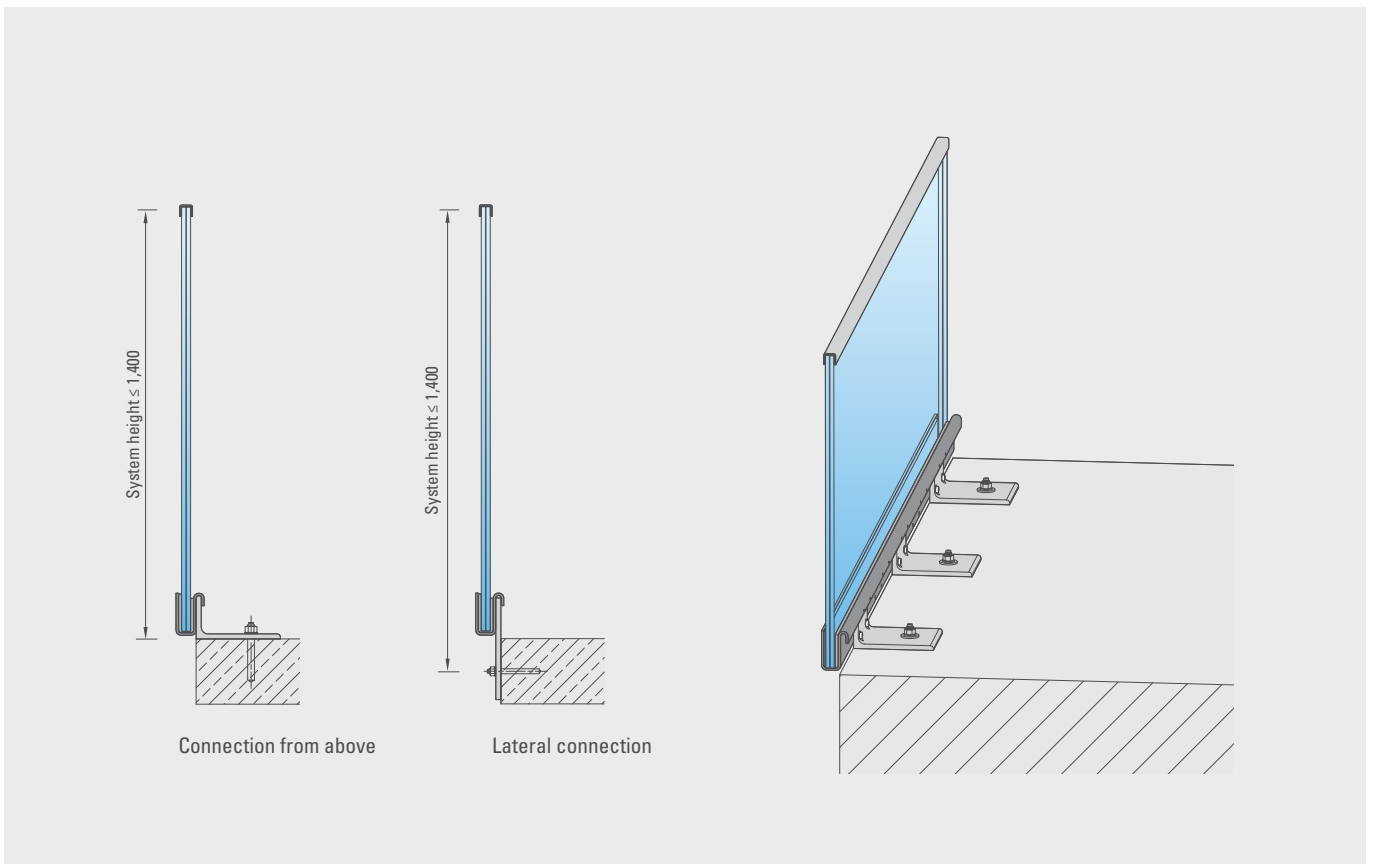
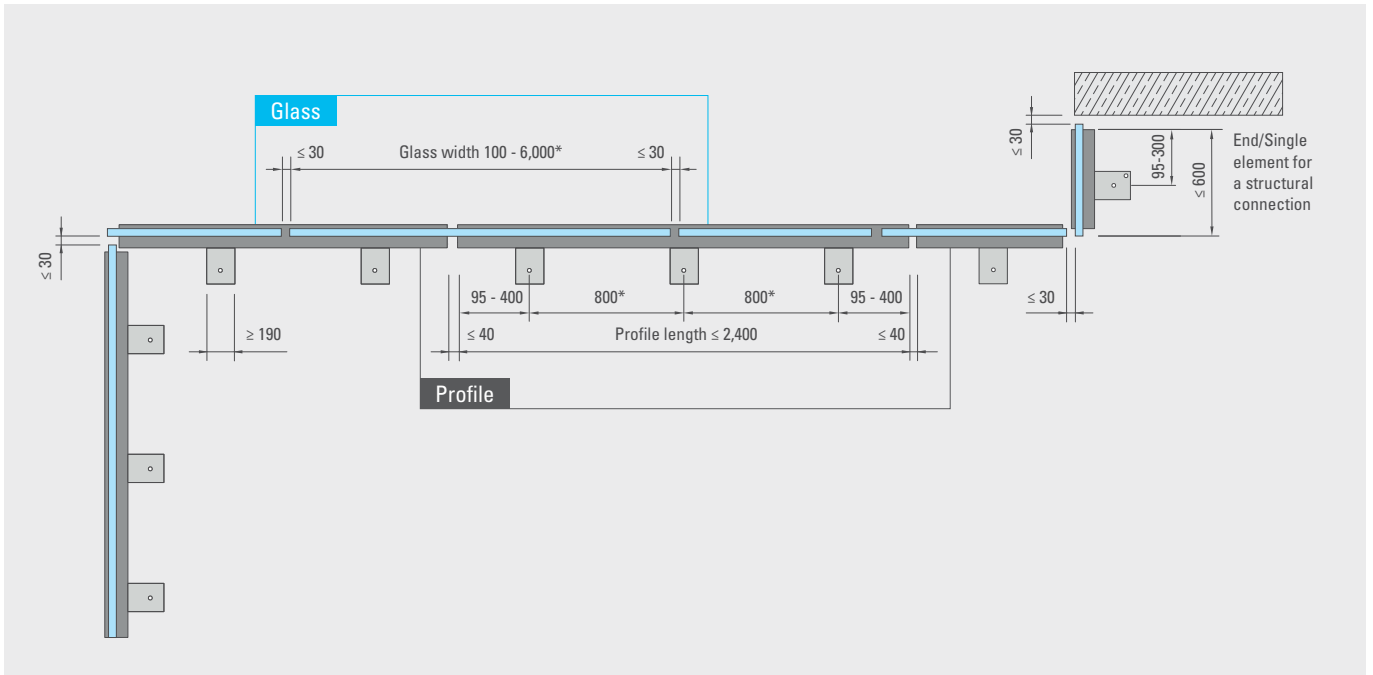
Using LG-heat strengthened soda lime silicate glass or printed/enamelled LG-TG instead of LG-Float is possible.

Maximum glass width with LG-Float is **B** = 1,000 mm.

Pay attention to the maximum system height of 1,400 mm.

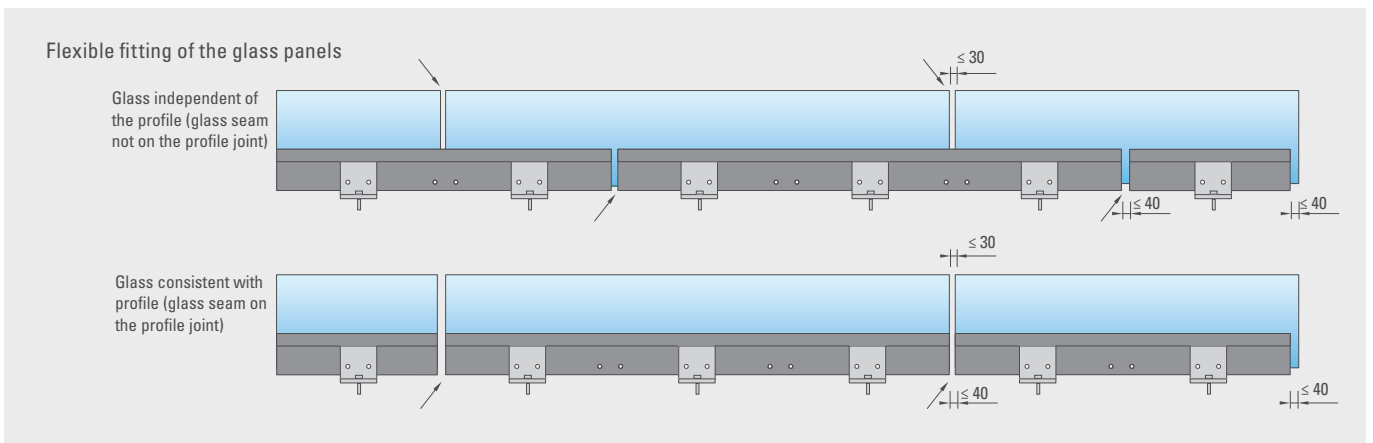
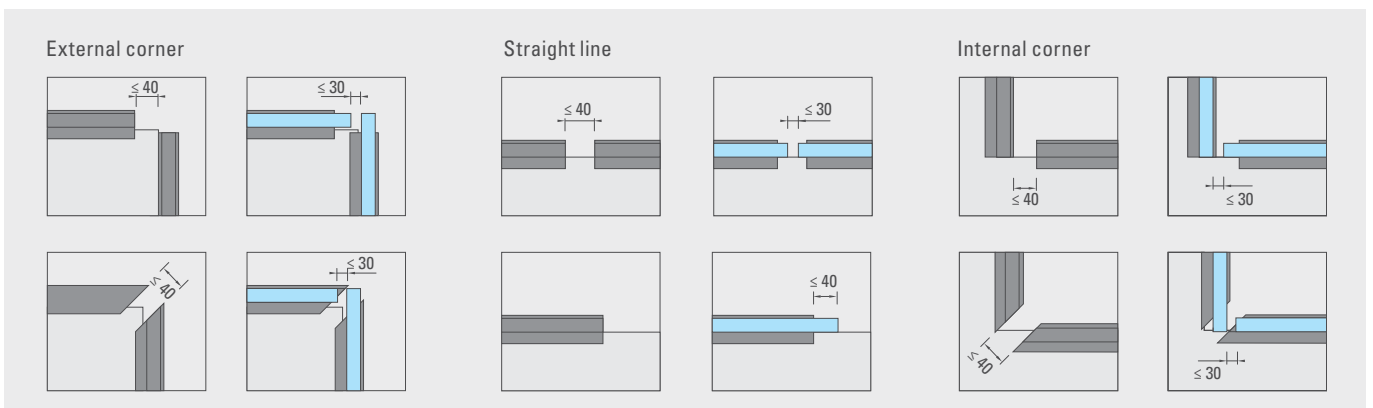
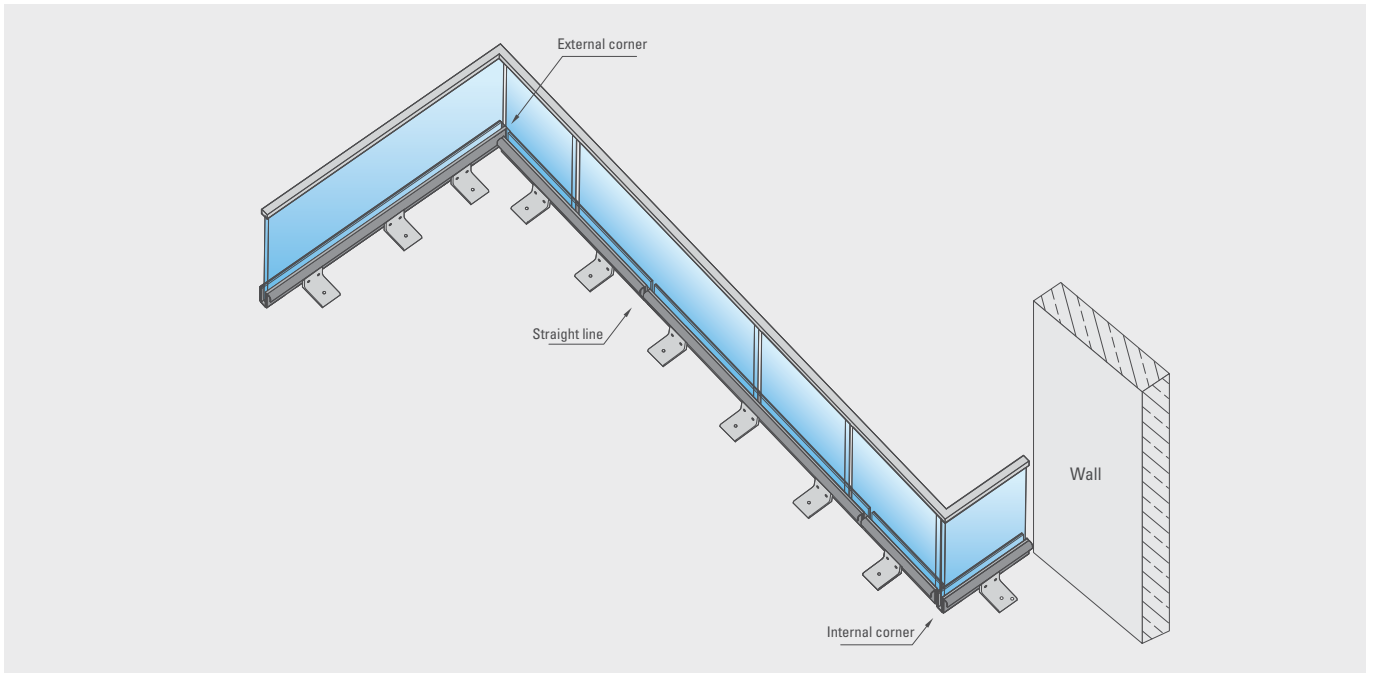
### Level area system dimensions

Glass and profile



\* Application and calculation tables, see Page 64-65.

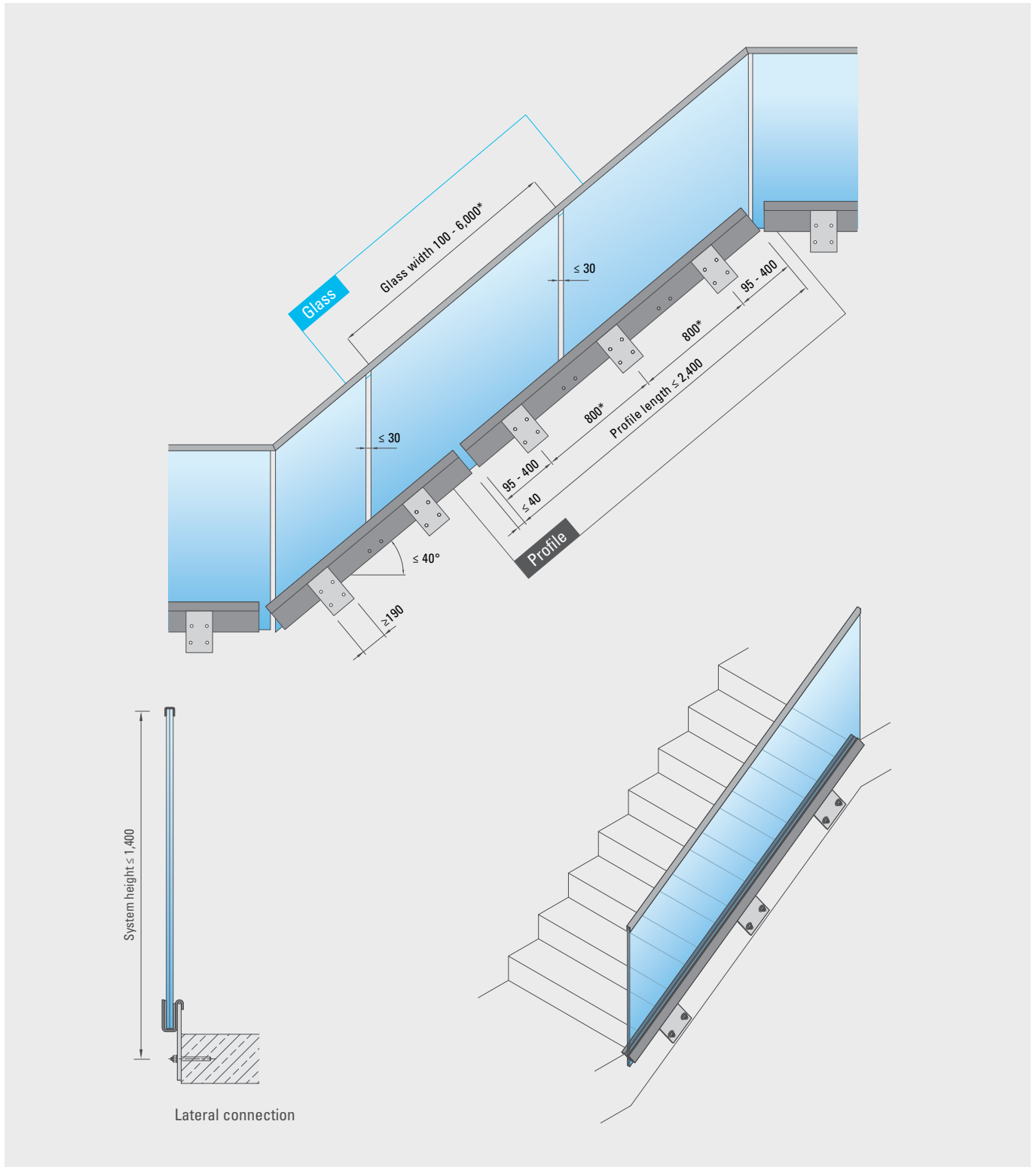
### Profile joint / glass joint



Open, accessible glass edges must be constructively protected according to DIN 18008-4, e.g. with the vertical glass edge guard profile Page 73.

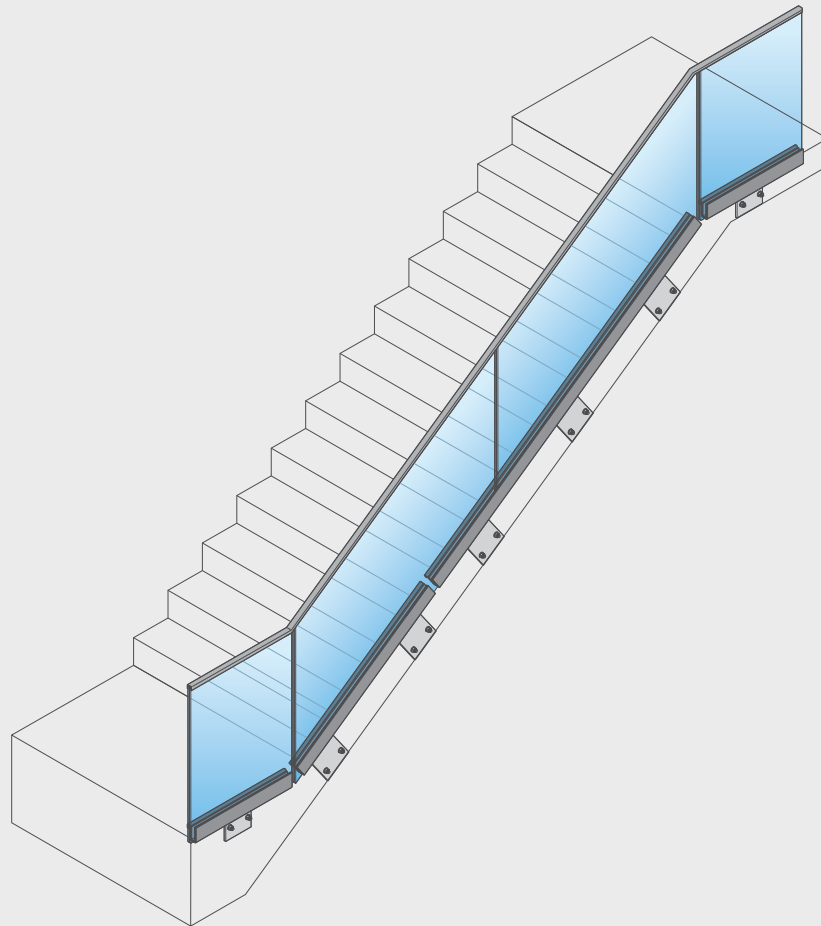
### Stair system dimensions

Glass and profile



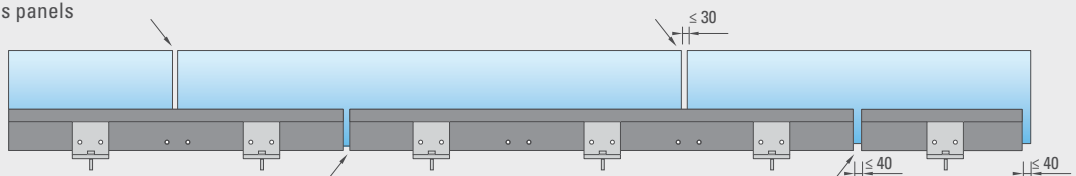
\* Application and calculation tables, see Page 64-65.

### Profile joint / glass joint

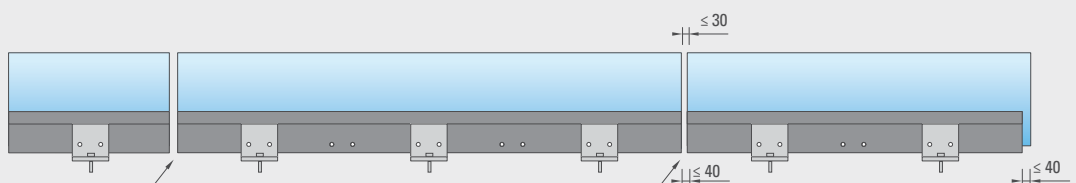


#### Flexible fitting of the glass panels

Glass independent of the profile (glass seam not on the profile joint)



Glass consistent with profile (glass seam on the profile joint)



Open, accessible glass edges must be constructively protected according to DIN 18008-4, e.g. with the vertical glass edge guard profile Page 73.

### Glass construction / application

Laminated safety glass (LG) made of	Glass constructions	
Float (Float glass)		2 x 10 mm
Heat strengthened soda lime silicate glass		2 x 10 mm
TG (single-pane safety glass)	2 x 8 mm	2 x 10 mm

With 1.52 mm laminated layer made of PVB  
 PVB: Polyvinyl butyral film glass edges ground or polished. Glass and profile joints must be protected from penetrating moisture.

**1** Glass inset

**2** Glass joint

**3** Glass overhang

**4** Glass cutout

**5** Glass cutout

**Printing / Enamelling**  
 LG-TG panes may be printed / enamelled.  
 The printed / enamelled glass panes are dimensioned using the certificates for LG-Float panes with the same thickness and height.  
 Filler and end panes 100 - 500 mm wide must be attached at the top to ensure load transfer.  
 Handrail joint:  
 750 mm from the glass joint in a straight line, in case of non-rigid handrail attachment.  
 100 mm from the glass joint in a straight line, in case of rigid handrail attachment.

Using LG-heat strengthened soda lime silicate glass instead of LG-Float is possible.

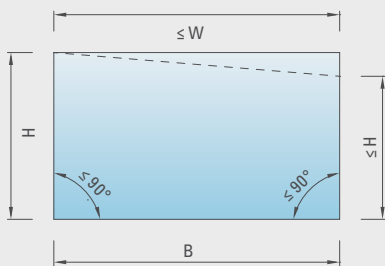
\* Open, accessible glass edges must be constructively protected in accordance with DIN 18008-4, e.g. with the vertical glass edge guard profile Page 73.  
 For glass dimensions see application and calculation tables, Page 64-65.



## Glass panes / model panes

### Rectangular / trapezoidal panes

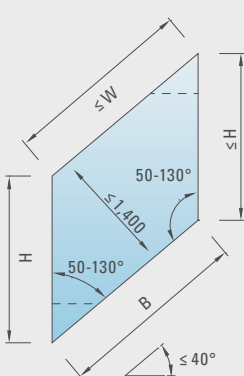
LG - TG / heat strengthened soda lime silicate glass / Float



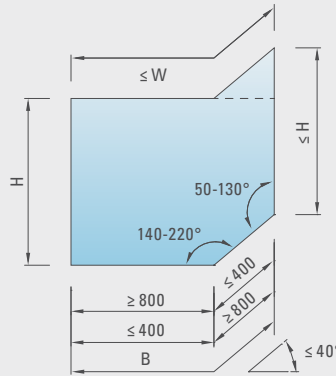
Glass width  $W = 500 - 6,000 \text{ mm}$   
 max. glass height  $H = 1,400 \text{ mm}^*$

### Sloped glass panes / model panes

LG-TG



parallelogram-shaped

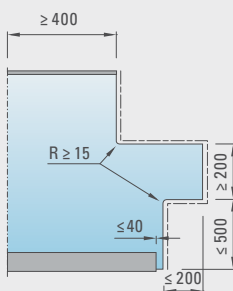


angled transition

Glass width  $W = 500 - 3,000 \text{ mm}$   
 max. glass height  $H = 1,400 \text{ mm}^*$

### permitted glass cutouts

LG-TG 2x10



In the bottom section, the cutouts are only permitted up to a size of 200 x 500 mm. For the cutouts in the top section there are no restrictions.

Protect all glass edges accessible from the traffic areas by adjacent components with a distance of no more than 30 mm or with edge guards.

The glass panes made of LG-TG with glass cut-out are dimensioned using the certificates for LG-Float panes with no cutout with the same thickness and height.

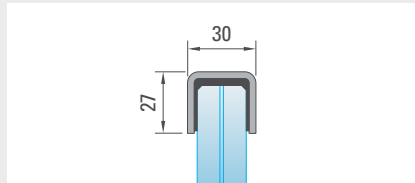
\* For glass dimensions see application and calculation tables, Page 64-65.

Open, accessible glass edges must be constructively protected in accordance with DIN 18008-4, e.g. with the vertical glass edge guard profile Page 73.

### Load-distributing stainless steel handrails

#### U-profile

U 30 x 27 mm, d = 3 mm



- incl. rubber push-on profile
- Delivery length: 3,000 mm, 5,000 mm
- Material: Stainless steel 1.4301 and 1.4404
- Surface: polished

#### 90° corner

External dimensions 200 x 200 mm



horizontal



vertical

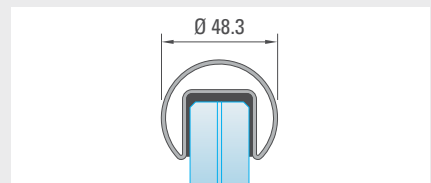
#### End piece

500 mm (closed on one side)



#### Grooved pipes

Ø 42.4 mm, Ø 48.3 mm



- incl. rubber push-on profile
- Delivery length: 3,000 mm, 5,000 mm
- Material: Stainless steel 1.4301
- Surface: polished

#### Handrail connector



#### Corner connector 90°



#### Handrail end plug



#### Wall connection



If necessary, secure the handrail against lifting by bonding it with group E sealants according to DIN 18545-2. Pay attention to processing and bonding instructions. PVB compatibility must be checked.

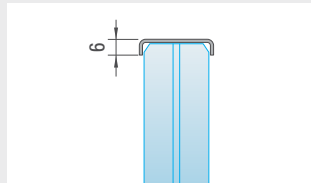




## Glass edge guard profiles

### Stainless steel

h = 6 mm, d = 1 mm

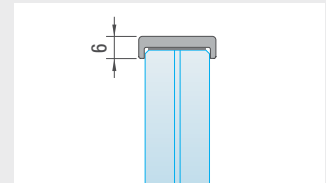


- incl. adhesive fastening
- Delivery length: 1,300 mm, 3,000 mm

- Material: Stainless steel 1.4301
- Surface: polished

### Aluminium

h = 6 mm, d = 1.5 mm



- incl. adhesive fastening
- Delivery length: 1,300 mm, 3,000 mm

- Material: Aluminium (EN AW - 6063 T66)
- Surface: Natural untreated

### 90° corner

External dimensions 200 x 200 mm



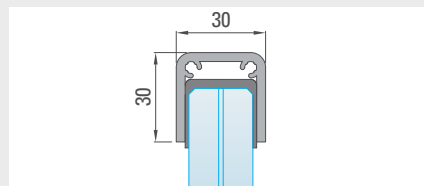
horizontal



vertical

### Aluminium U-profile

U 30 x 30 mm, d = 3 mm

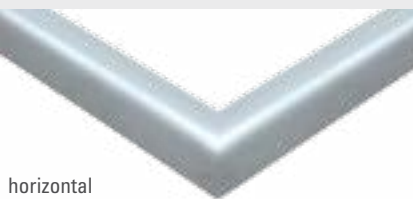


- incl. rubber push-on profile
- Delivery length: 3,000 mm, 5,000 mm
- Connecting pins see Accessories p.81

- Material: Aluminium (EN AW - 6063 T66)
- Surface: Natural untreated  
Stainless steel look polished

### 90° corner

External dimensions 200 x 200 mm



horizontal



vertical

### End piece

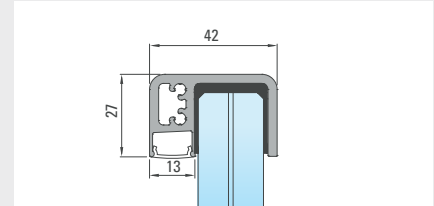
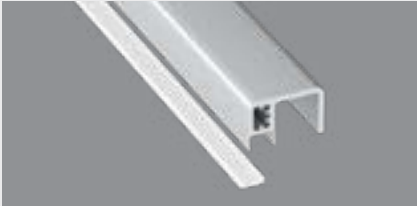
500 mm (closed on one side)



If necessary, secure the handrail against lifting by bonding it with group E sealants according to DIN 18545-2.  
Pay attention to processing and bonding instructions. PVB compatibility must be checked.

### LED handrail\*

#### Lighting downwards



- incl. rubber push-on profile
- Delivery length: 3,000 mm, 5,000 mm
- Connecting pins see Accessories p.81

- Material: Aluminium (EN AW-6063 T66)
- Surface: Natural untreated  
Stainless steel look polished

#### 90° corner

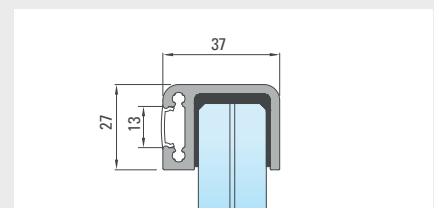
External dimensions 200 x 200 mm



#### End piece

500 mm (closed on one side)

#### Lighting on the side



- incl. rubber push-on profile
- Delivery length: 3,000 mm, 5,000 mm
- Connecting pins see Accessories p.81

- Material: Aluminium (EN AW-6063 T66)
- Surface: Natural untreated  
Stainless steel look polished

#### 90° corner

External dimensions 200 x 200 mm



#### End piece

500 mm (closed on one side)

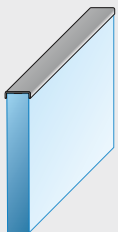
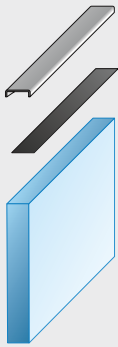
\* not load-distributing

If necessary, secure the handrail against lifting by bonding it with group E sealants according to DIN 18545-2.  
Pay attention to processing and bonding instructions. PVB compatibility must be checked.

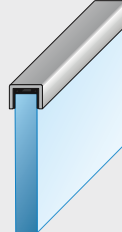
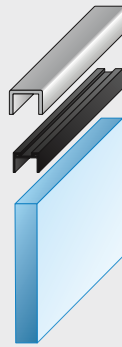


## Handrail assembly

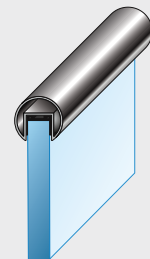
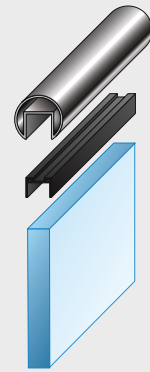
**Glass edge guard**



**Handrail U-profile**



**Hand rail grooved pipe**



Evidence of the load-distributing handrail connection on the building on site.

### BALARDO *firstglass*

The edge guard made of glass

SHOW OFF A TRANSPARENT GLASS EDGE – The permanently laminated transparent glass edge BALARDO *firstglass* redefines transparency on glass railings!

Your benefit: No visible metal edge guard profiles! Just pure glass!

Discover new possibilities in frameless glass architecture.

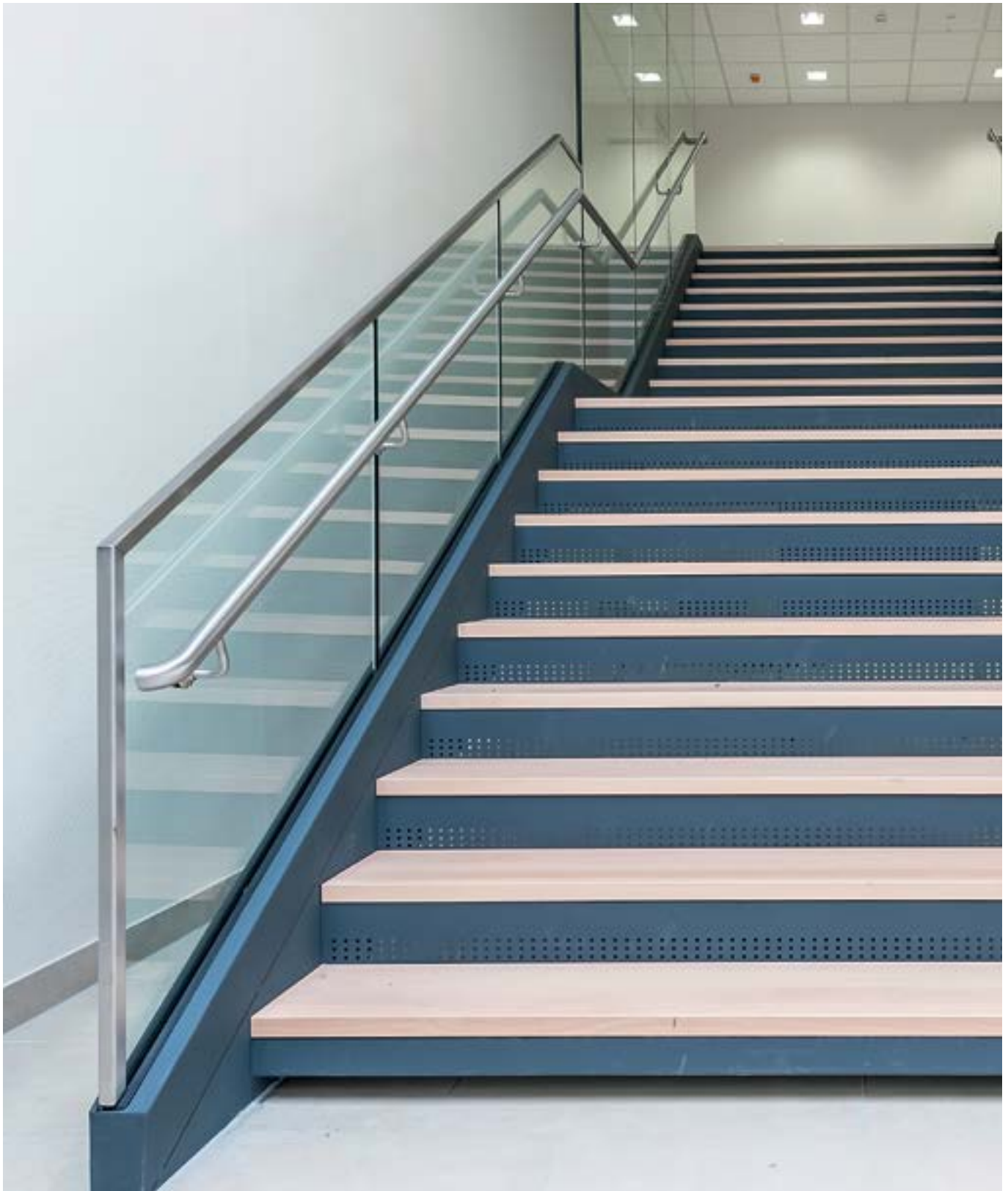


**On request**  
**Ideal for single panes**  
**Glass width: 300 - 6,000 mm**

**DIN 18008-4 tested**

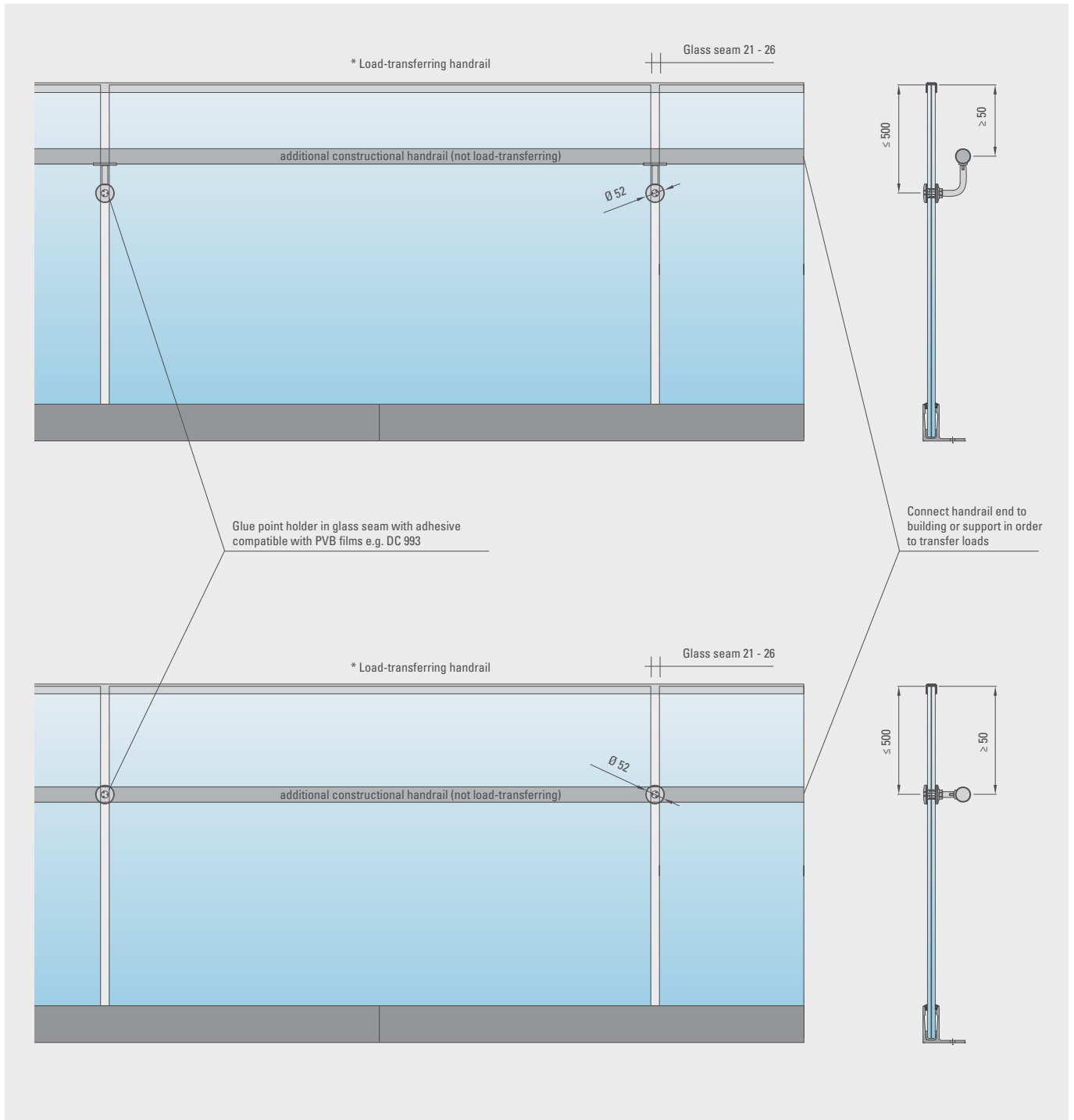
**Only with GLASSLINE!**

## Additional constructional handrail



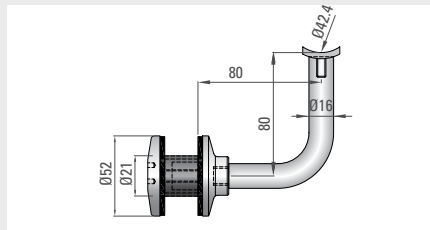
### Additional constructional handrail

Application examples



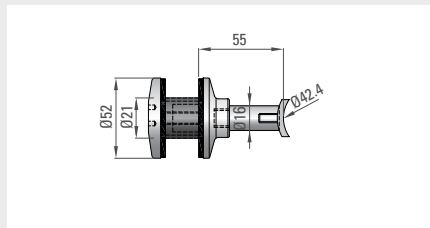
\* Load-transferring handrail essential. The building law application / approval must be agreed with the responsible authorities on a property-specific basis. The constructional handrail has no fall-protection function and must be calculated and executed according to the requirements. If necessary, secure the handrail against lifting by bonding it with group E sealants according to DIN 18545-2. PVB compatibility must be observed.

### Curved handrail holder



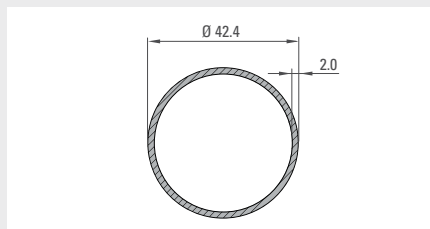
- Point holder: Ø 52 mm
- Material: Stainless steel 1.4404
- Surface: turned bright

### Straight handrail holder



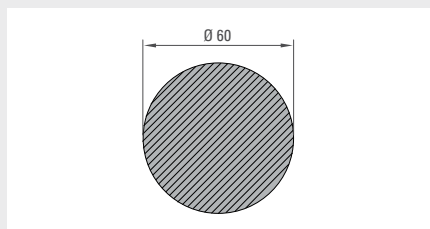
- Point holder: Ø 52 mm
- Material: Stainless steel 1.4404
- Surface: turned bright

### Stainless steel handrail



- Round pipe: Ø 42.4 mm x 2.0 mm
- Material: Stainless steel 1.4404
- Surface: polished
- Delivery length: 6,000 mm

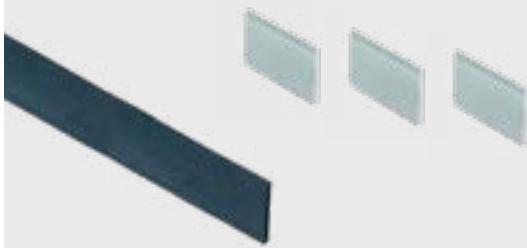
### Wooden handrail



- Wood: Ø 60 mm
- Material: Steamed beech
- Surface: polished and varnished
- Delivery length: 3,000 mm

### Accessories

#### EPDM wedge strip and aluminium wedge elements



- For wedge system assembly
- Thickness: 4 mm (standard)  
3 mm and 5 mm as an offset

#### EPDM pressure profile and POM rod



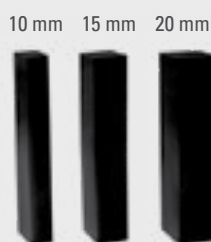
- For rod system assembly
- Pressure profile thickness:  
9 mm for LG 2 x 10 mm or 11 mm for LG 2 x 8 mm (standard)  
8 mm and 10 mm as an offset
- POM rod thickness:  
Ø 8 mm for LG 2 x 10 mm or Ø 10 mm for LG 2 x 8 mm (standard)  
Ø 7, 9 and 11 mm as an offset

#### Assembly tool

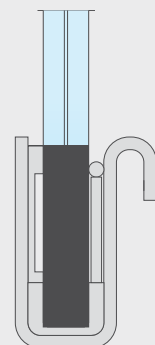


- For knocking in the aluminium wedges or POM rods

#### Glass spacer for glass seam



- Material: EPDM
- for glass thickness: 2 x 8 mm, 2 x 10 mm
- Glass seam width: 10 mm, 15 mm, 20 mm
- Height: 80 mm
- Self-adhesive on one side
- Packing unit: 10 units





### Spirit level with 2 magnets



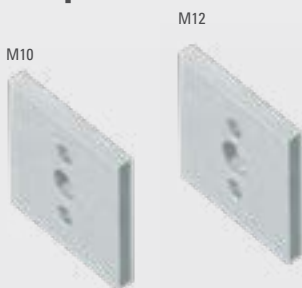
- For aligning the support profile see Assembly instructions from Page 88

### Hilti HIT injection mortar

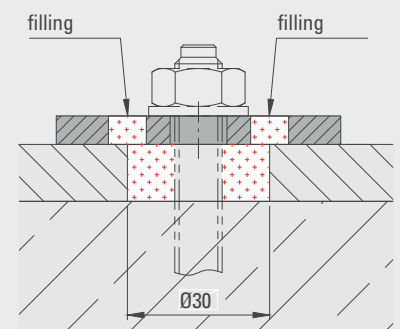


- For injecting the filler panes
- 300 ml cartridge

### Filler pane



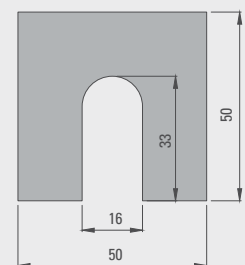
- Material: Steel, S235
- Surface: galvanised
- Dimensions: 60 x 60 mm
- Thickness: 6 mm
- Drill hole: Ø12 mm for M10  
Ø14 mm for M12



### Shims



- Material: Aluminium
- Dimensions: 50 x 50 mm
- Slotted hole: 16 x 33 mm
- Thicknesses: 1 mm, 2 mm, 5 mm
- Packing unit: 10 units



### Connecting pins Ø4 x 20 mm



- Material: Stainless steel 1.4301
- with M4 x 10 mm thread
- for aluminium U-profile, LED handrail and structural cladding
- Packing unit: 10 units

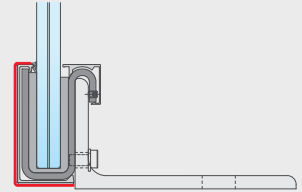
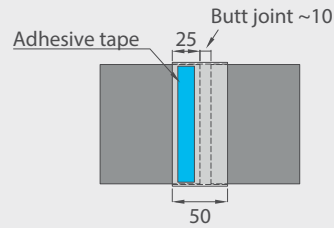
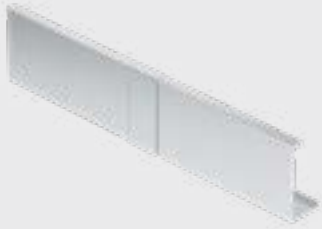
### Threadlocker



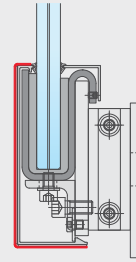
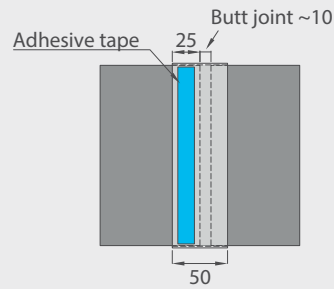
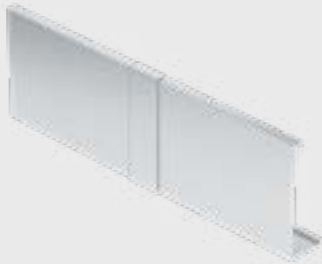
- 10 ml bottle
- 50 ml bottle

### Splice plates for outer trim

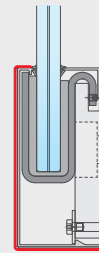
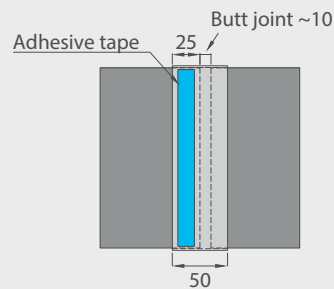
**B1** for systems 1 and 2.A-2.C



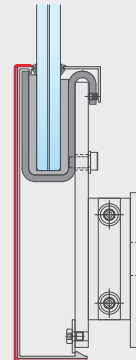
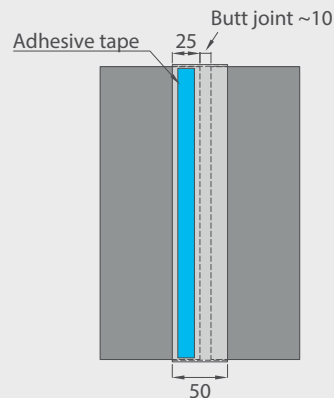
**B2** for systems 5, 6, 9 and 11



**B3** for system 3



**B4** for systems 4, 7, 8 and 10

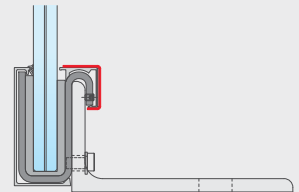
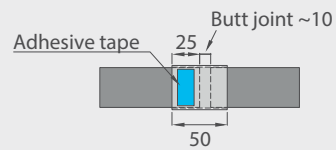


Secure splice plates also mechanically on site. Colour differences may occur with anodised profiles.

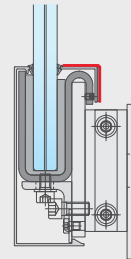
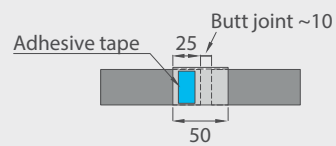


## Splice plates for inner trim

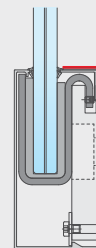
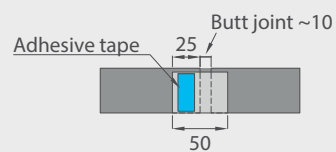
**C1** for systems 1 - 11 (except 3)



**C2** for systems 1 - 11 (except 3)



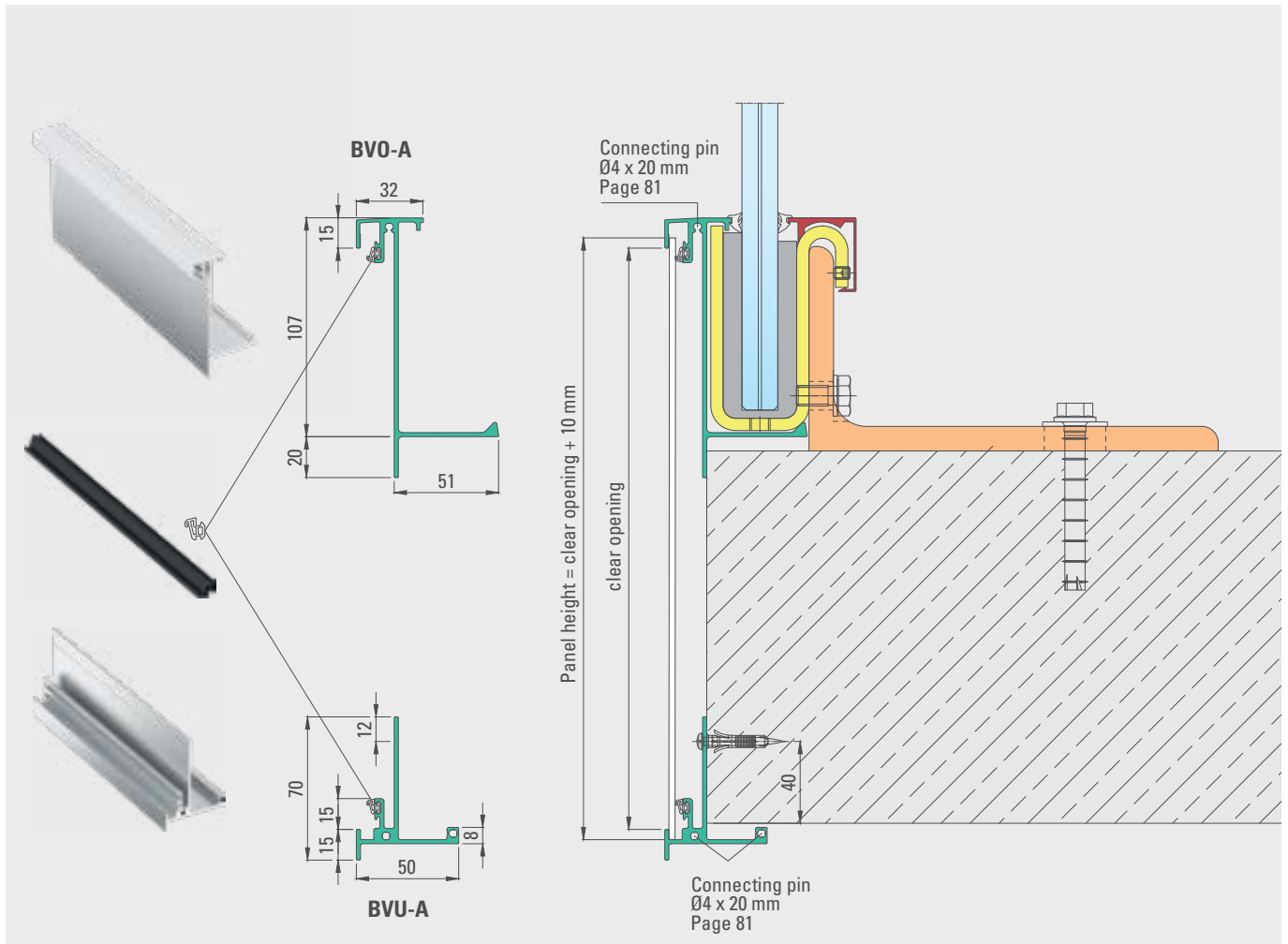
**C3** for system 3



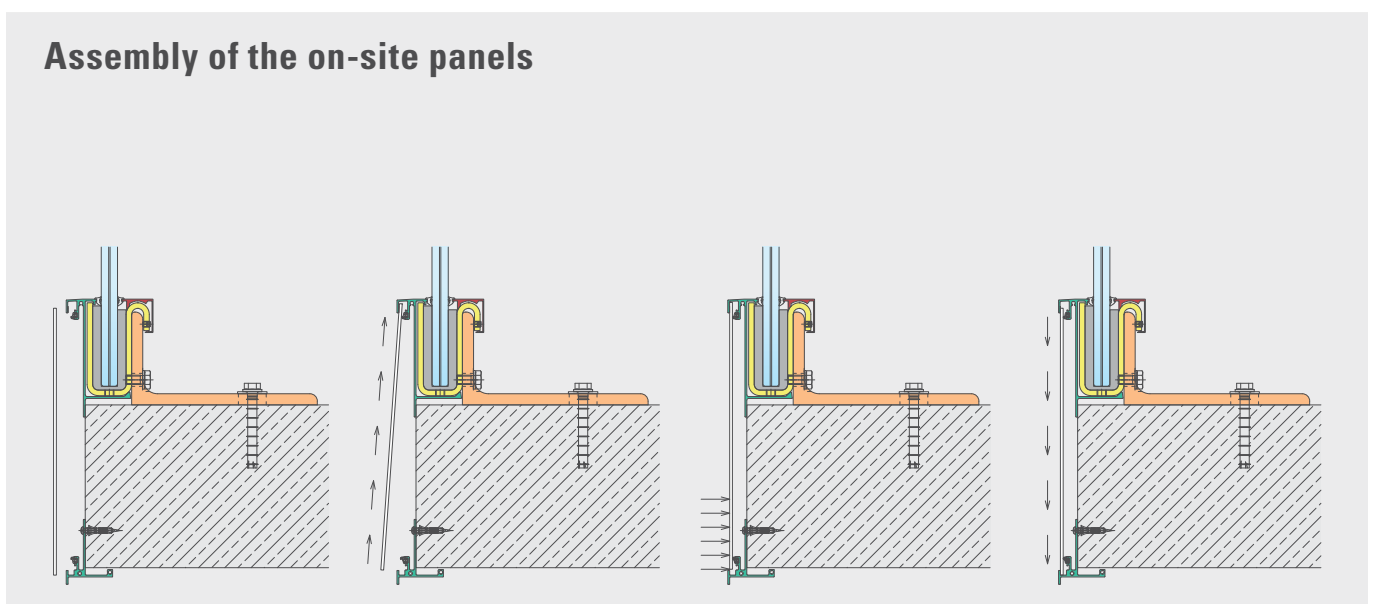
Secure splice plates also mechanically on site. Colour differences may occur with anodised profiles.

### Structural cladding for panel thickness 3-5 mm

Material: Aluminium / delivery length: 3,000 mm. Surfaces: Natural untreated / stainless steel effect (E6EV1)

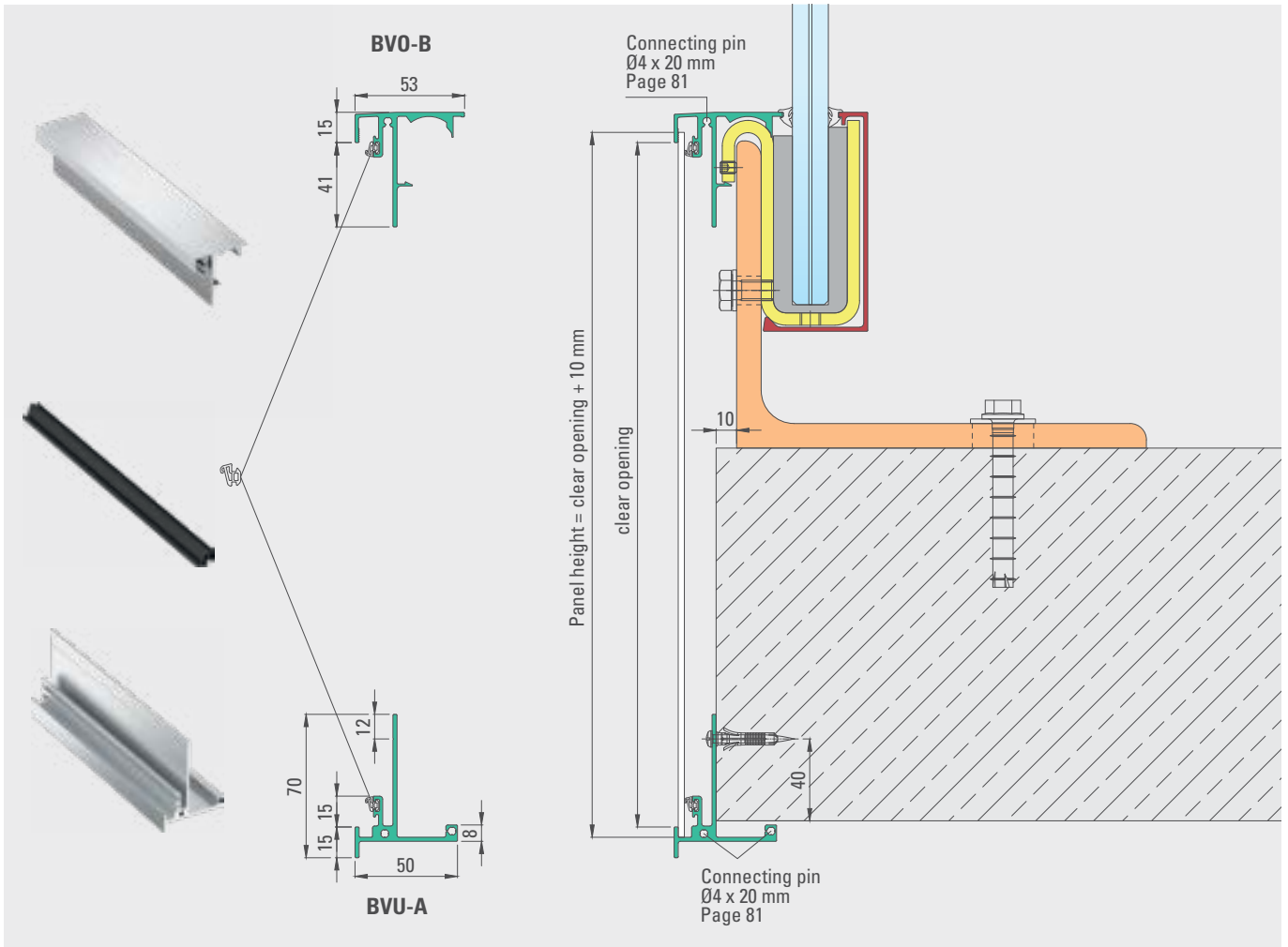


### Assembly of the on-site panels

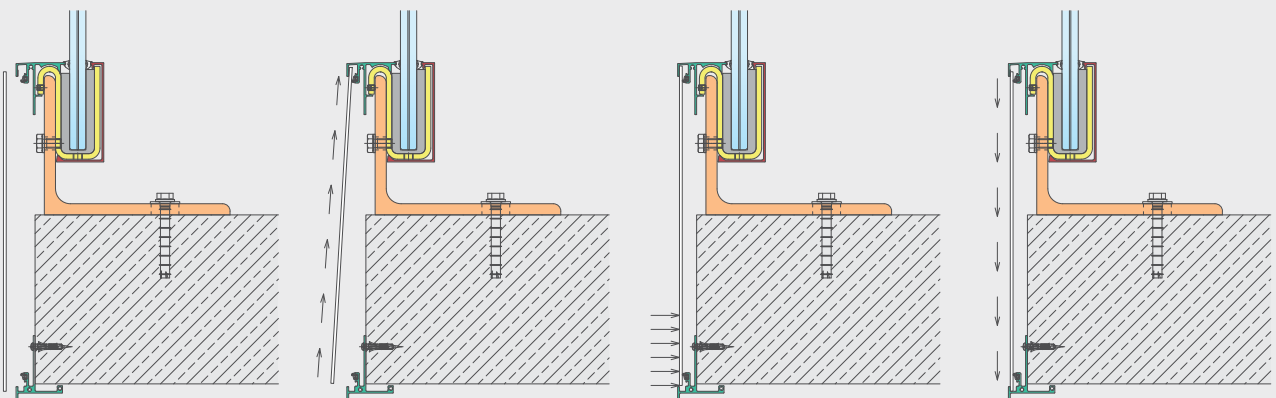


**Structural cladding** for panel thickness 3-5 mm

Material: Aluminium / delivery length: 3,000 mm. Surfaces: Natural untreated / stainless steel effect (E6EV1)

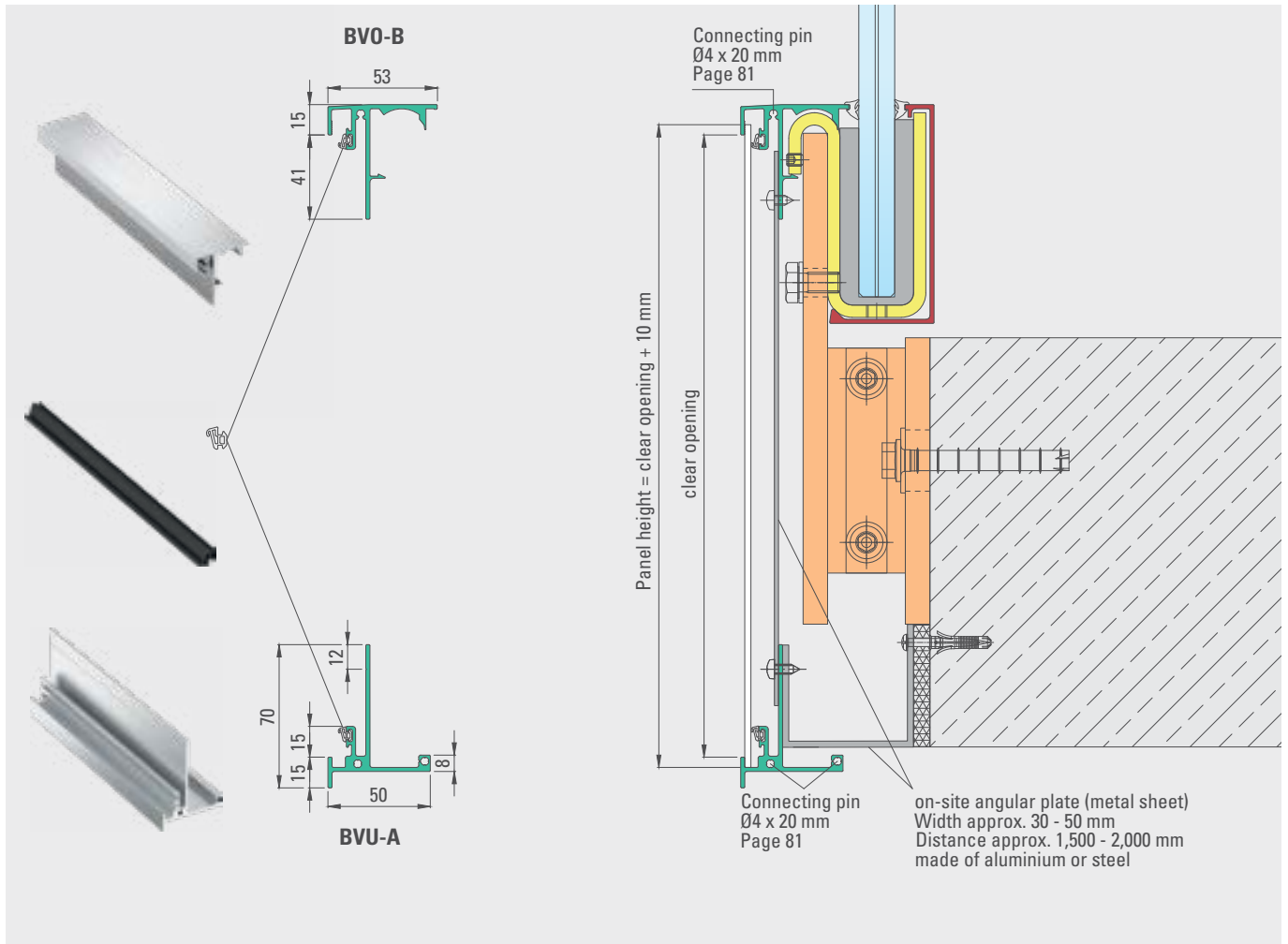


**Assembly of the on-site panels**

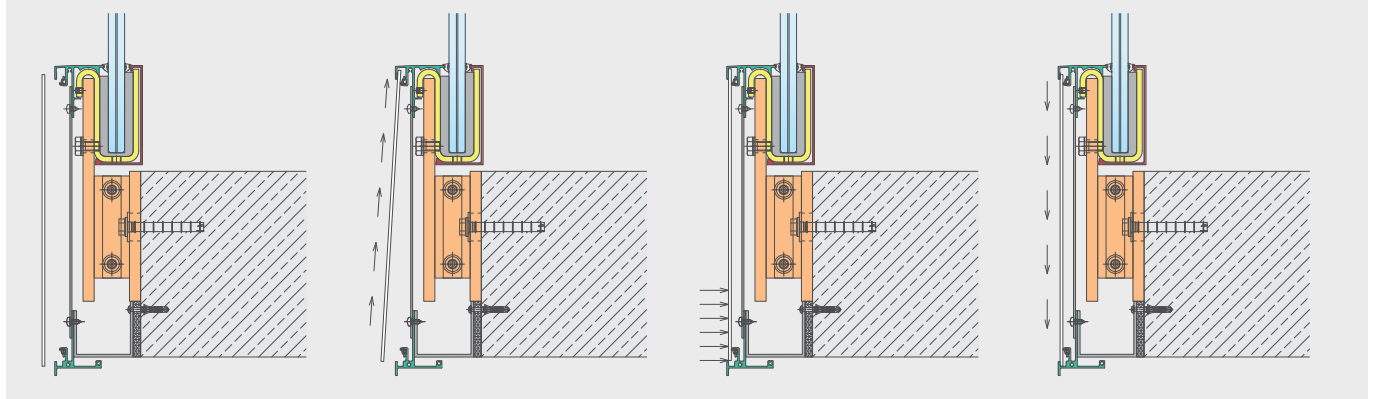


### Structural cladding for panel thickness 3-5 mm

Material: Aluminium / delivery length: 3,000 mm. Surfaces: Natural untreated / stainless steel effect (E6EV1)

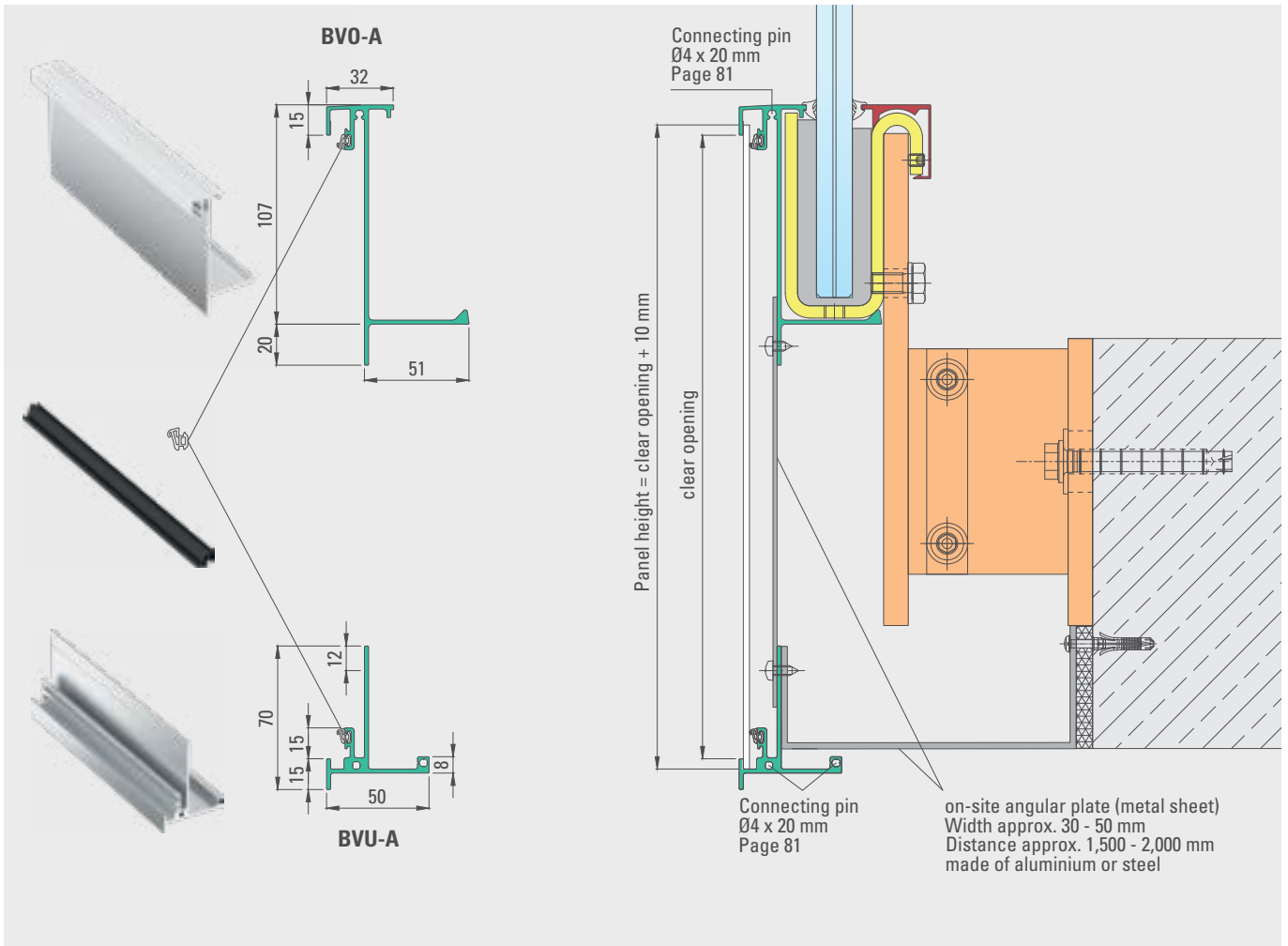


### Assembly of the on-site panels

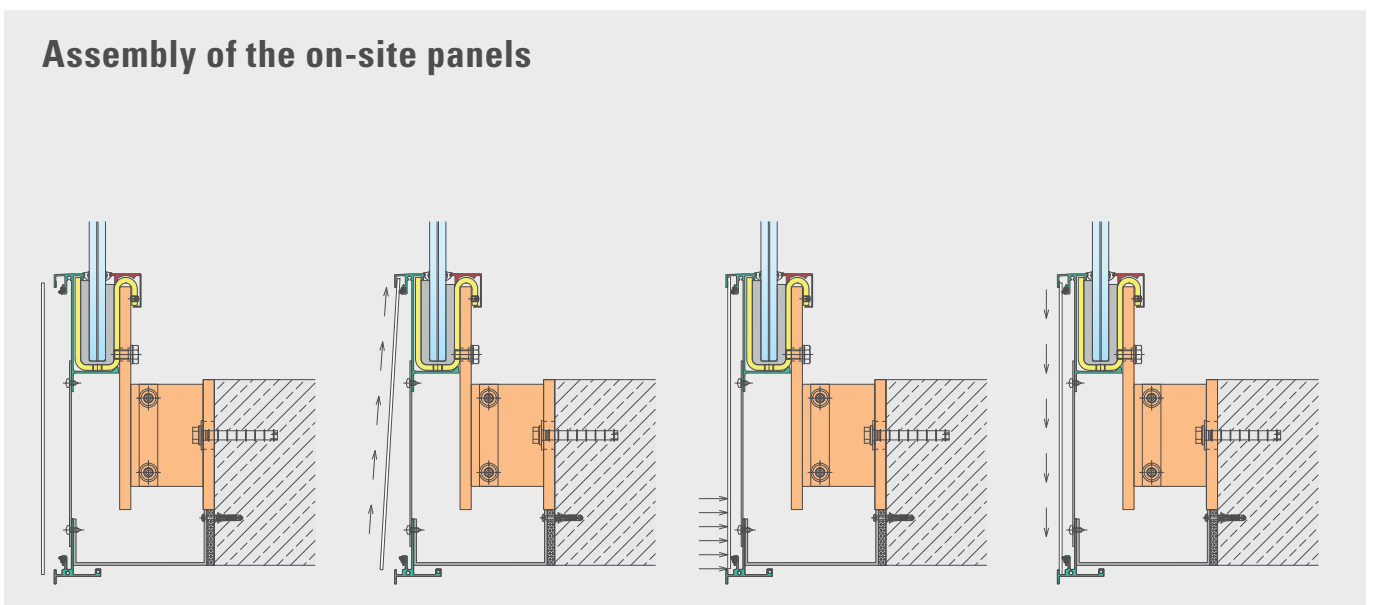


**Structural cladding** for panel thickness 3-5 mm

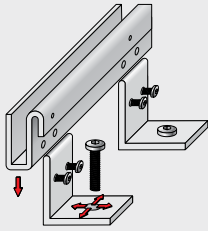
Material: Aluminium / delivery length: 3,000 mm. Surfaces: Natural untreated / stainless steel effect (E6EV1)



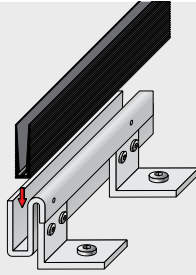
**Assembly of the on-site panels**



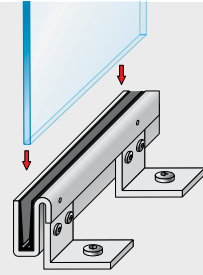
### Wedge system assembly instructions



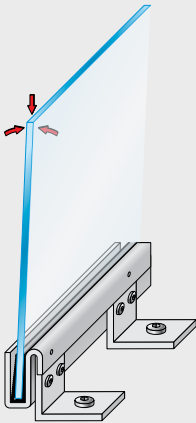
- 1** Alignment and assembly of the structural connection elements and the support profile.



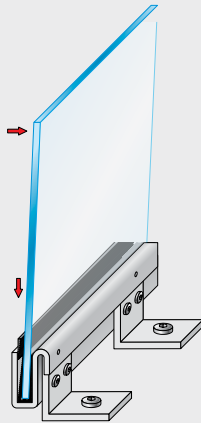
- 2** Insert clamping shoe (short side inside / long side outside).



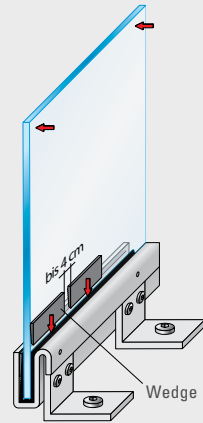
- 3** Insert glass panes.



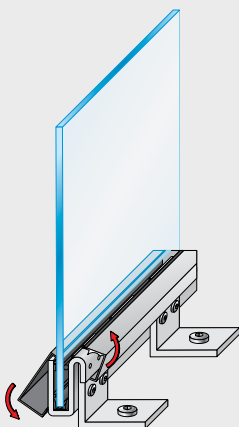
- 4** Move the pane back and forth from the top under pressure. Gap between glass pane and BALARDO support profile approx. 3-10 mm.



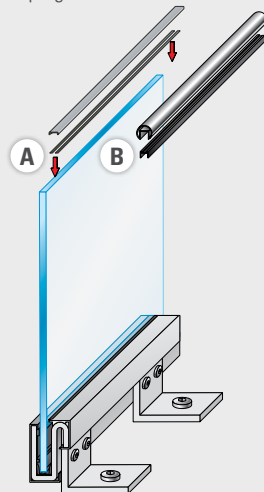
- 5** Insert wedge strip outside on the fall side between support profile and clamping shoe.



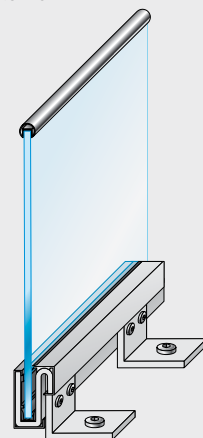
- 6** Insert aluminium wedges. Press glass outwards, push aluminium wedge pieces in firmly and knock in with the setting tool. Gap between the wedges: up to 4 cm.



- 7** Glue in lining strips. Clip in outer and inner trim and insert seals.



- 8** Fit glass edge guard profile (A) or handrail (B).



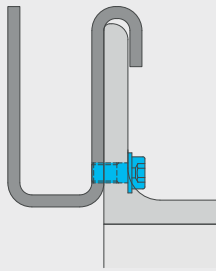
- 9** Done

▶ Assembly video at [www.glassline.de/montagevideos](http://www.glassline.de/montagevideos)

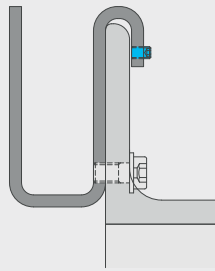




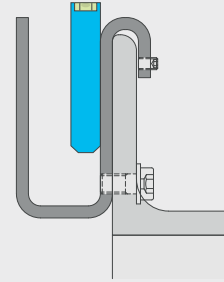
## Wedge system assembly instructions



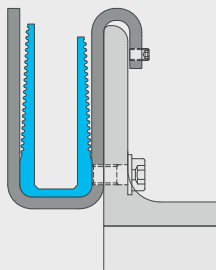
**1** Fasten BALARDO support profile to structural connection element.



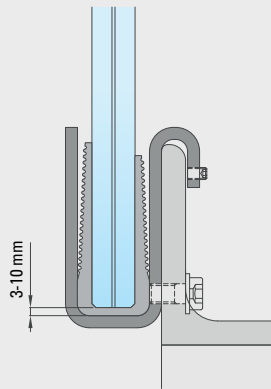
**2** Insert the locking bolt to secure the position.



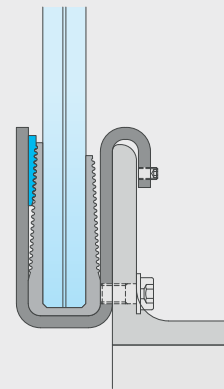
**3** Align the BALARDO support profile on the inside with the aid of the structural connection element and then fasten the structural connection element firmly to the building.



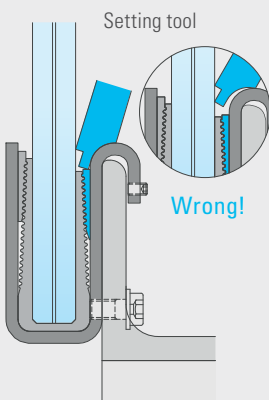
**4** Insert EPDM clamping shoe (short side inside / long side outside).



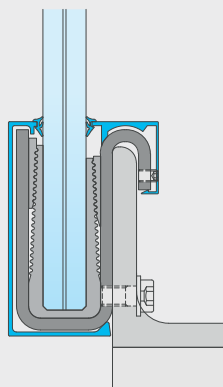
**5** Insert glass panes. Gap between glass pane and BALARDO support profile approx. 3-10 mm.



**6** Insert wedge strip between support profile and clamping shoe

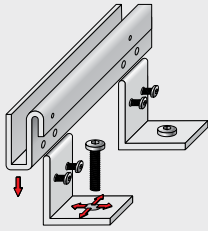


**7** Insert aluminium wedges. Press glass outwards, push aluminium wedges in firmly and knock in with the setting tool. Gap between the wedges: up to 4 cm.

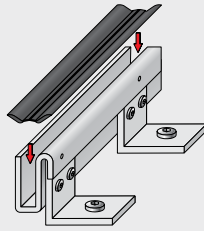


**8** Glue in lining strips. Clip in outer and inner trim and insert seals. Done!

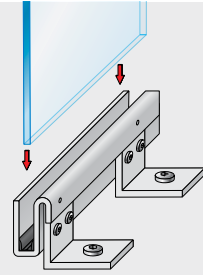
### Rod system assembly instructions



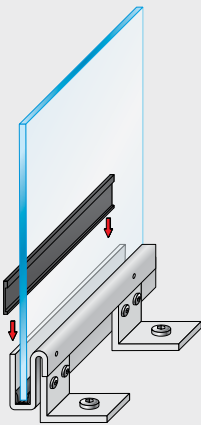
- 1** Alignment and assembly of the structural connection elements and the support profile.



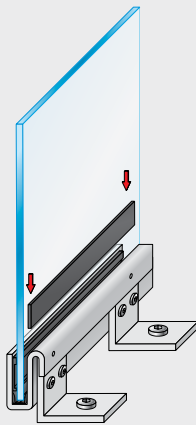
- 2** Insert clamping shoe.



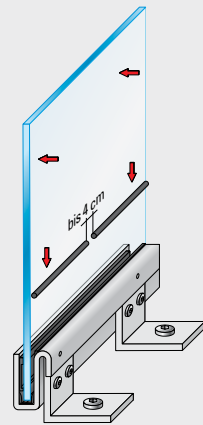
- 3** Insert glass panes.



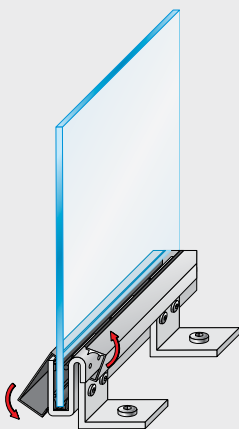
- 4** Place EPDM pressure profile onto the clamping shoe.



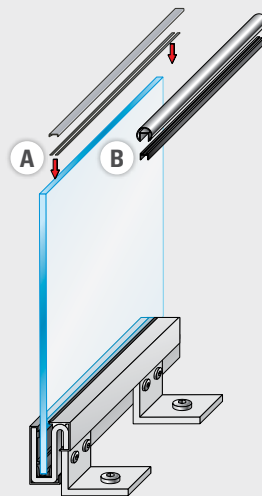
- 5** Insert EPDM spacer.



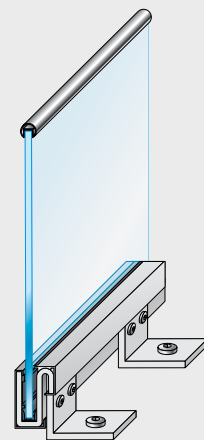
- 6** Insert POM rod (round). Press glass outwards, push POM rod in firmly and knock in with the setting tool.



- 7** Glue in lining strips. Clip in outer and inner trim and insert seals.



- 8** Fit glass edge guard profile (A) or handrail (B).

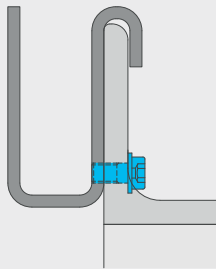


- 9** Done!

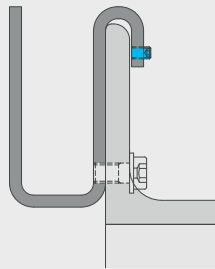
▶ Assembly video at [www.glassline.de/montagevideos](http://www.glassline.de/montagevideos)



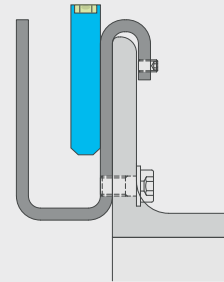
### Rod system assembly instructions



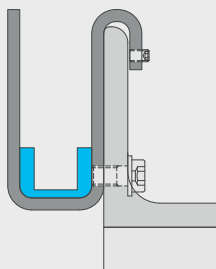
**1** Fasten BALARDO support profile to structural connection element.



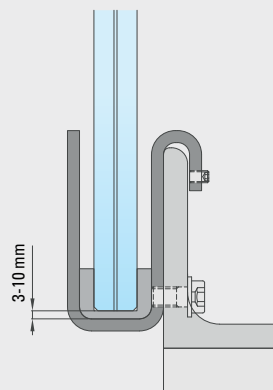
**2** Insert the locking bolt to secure the position.



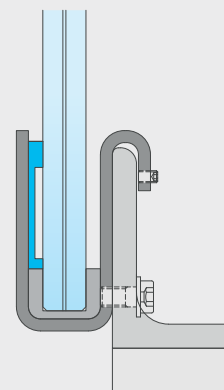
**3** Align the BALARDO support profile on the inside with the aid of the structural connection element and then fasten the structural connection element firmly to the building.



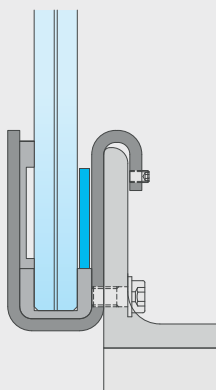
**4** Insert EPDM clamping shoe.



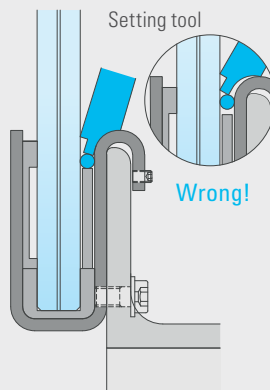
**5** Insert glass panes. Gap between glass pane and BALARDO support profile approx. 3-10 mm.



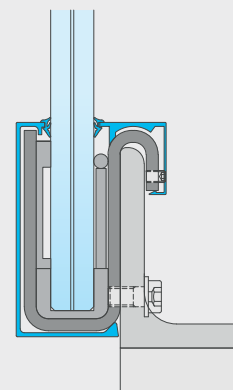
**6** Place EPDM pressure profile onto the clamping shoe.



**7** Insert EPDM spacer.



**8** Insert POM rod (round). Press glass outwards, push POM rod in firmly and knock in with the setting tool to the depth of the setting tool.  
Spacing: up to 4 cm



**9** Glue in lining strips. Clip in outer and inner trim and insert seals. Done!

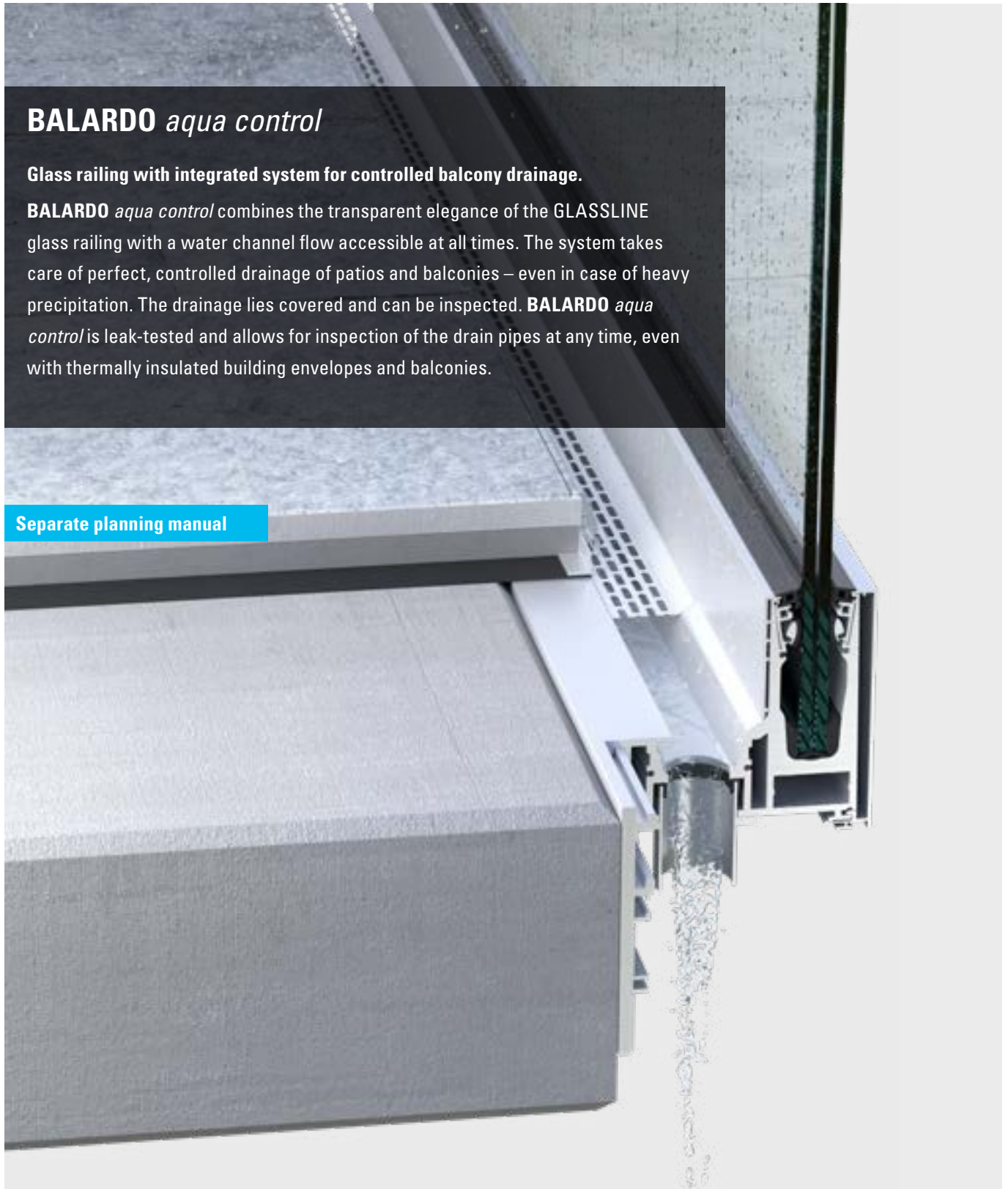
### Other BALARDO systems

#### **BALARDO** *aqua control*

**Glass railing with integrated system for controlled balcony drainage.**

**BALARDO** *aqua control* combines the transparent elegance of the GLASSLINE glass railing with a water channel flow accessible at all times. The system takes care of perfect, controlled drainage of patios and balconies – even in case of heavy precipitation. The drainage lies covered and can be inspected. **BALARDO** *aqua control* is leak-tested and allows for inspection of the drain pipes at any time, even with thermally insulated building envelopes and balconies.

Separate planning manual



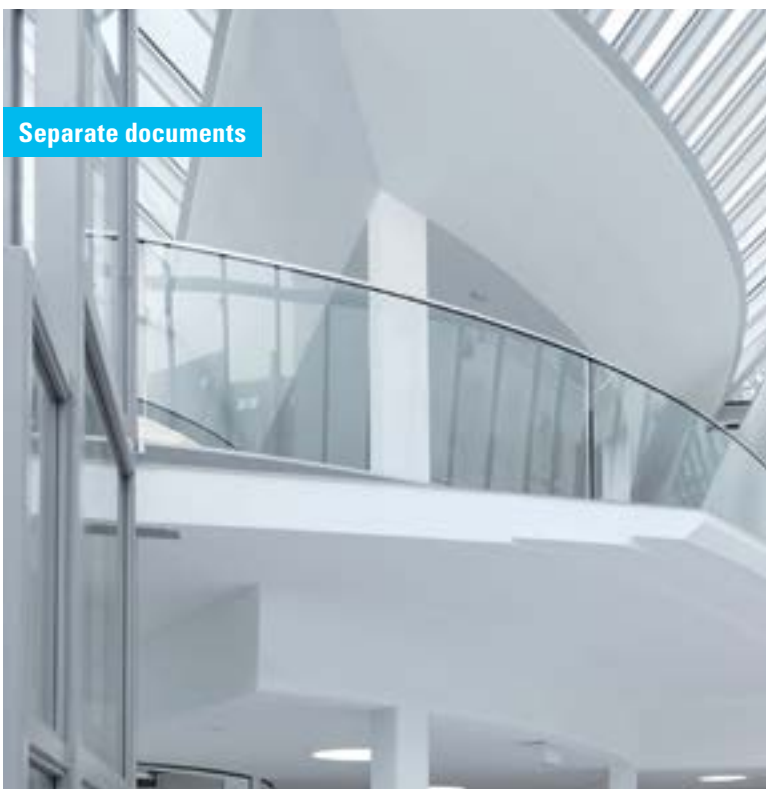


Separate planning manual

### **BALARDO** *glasswall*

#### **Floor-to-ceiling glazing with fall-protection function**

Ultimate transparency and permeability from the floor to the ceiling is ensured by **BALARDO** *glasswall*. The floor-to-ceiling fall-proof glazing system from GLASSLINE opens up unimaginable design freedom for architecture flooded with light, both for public and private building projects. For use either as partition walls, staircase glazing, for galleries or in sports facilities. Thanks to its remarkable transparency including tested safety, **BALARDO** *glasswall* conveys aesthetic openness and expansiveness in any installation situation.



Separate documents

### **BALARDO** *wave*

#### **The system for curvy architecture**

With curved floor and handrail profiles, the system adopts elegantly arched building shapes and implements these with the aesthetic properties of glass in highly transparent railings. Whether in public or private buildings, indoors or outdoors, **BALARDO** *wave* ensures an atmospheric light feeling in aluminium and steel design.

# BALARDO *steel*

Name \_\_\_\_\_

Company \_\_\_\_\_

Number, street \_\_\_\_\_

Postcode/Town \_\_\_\_\_

Phone \_\_\_\_\_ Fax \_\_\_\_\_

Email \_\_\_\_\_

Building project \_\_\_\_\_

**Different delivery address:**

Number, street \_\_\_\_\_

Postcode/Town \_\_\_\_\_

Comments \_\_\_\_\_

**Product enquiry**

**Order**

## The quick contact method:

- Copy form
- Fill out
- Fax to  
**+49 (0) 6291/6259-11**

or send by email to

**info@glassline.de**

Your enquiry/order will be processed as soon as possible.

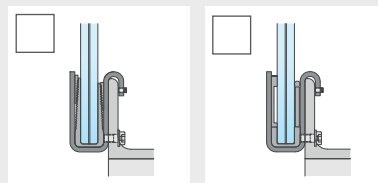
(Please fill in all fields)

**System profile** (please enter) \_\_\_\_\_ **linear metres**

**System profile** (please tick)

- galvanised, drilled
- galvanised, undrilled
- ungalvanised, drilled
- ungalvanised, undrilled

**Assembly system** (please tick)



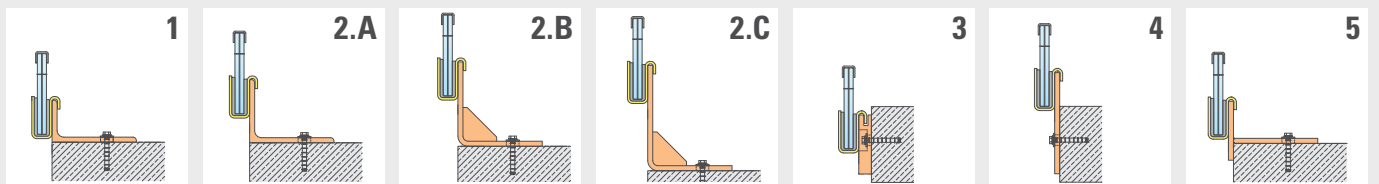
**Wedge system**

**Rod system**

**Glass thickness** (please tick)



**Systems structural connection elements** (please enter)



\_\_\_\_\_ **Units**

\_\_\_\_\_ **Units**

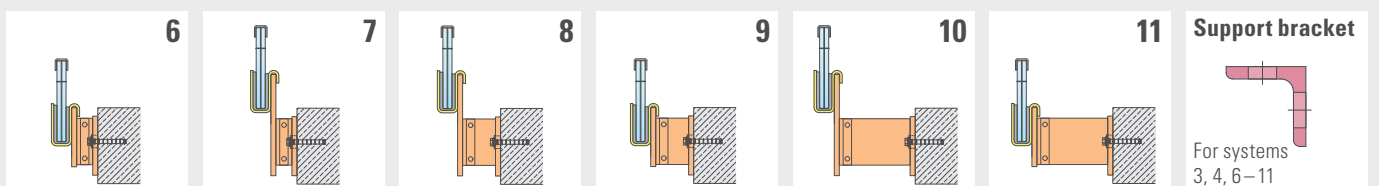
\_\_\_\_\_ **Units**

\_\_\_\_\_ **Units**

\_\_\_\_\_ **Units**

\_\_\_\_\_ **Units**

\_\_\_\_\_ **Units**



\_\_\_\_\_ **Units**

\_\_\_\_\_ **Units**

\_\_\_\_\_ **Units**

\_\_\_\_\_ **Units**

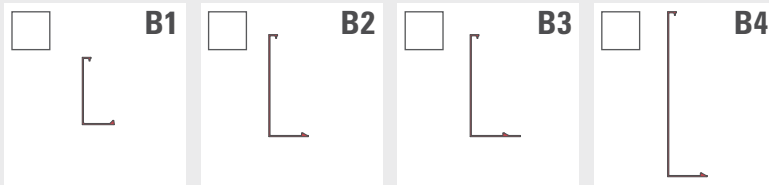
\_\_\_\_\_ **Units**

\_\_\_\_\_ **Units**

\_\_\_\_\_ **Units**

For systems  
3, 4, 6–11

## Outer trims (please tick)



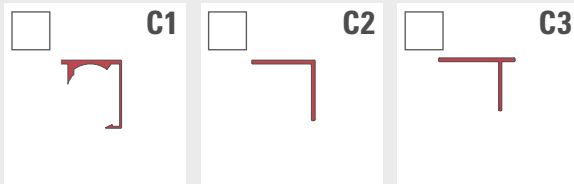
For systems  
1, 2.A-2.C

For systems  
5, 6, 9, 11

For system  
3

For systems  
4, 7, 8, 10

## Inner trims (please tick)

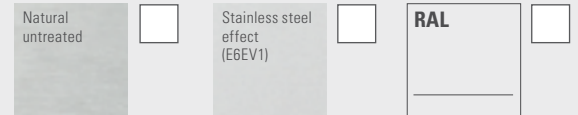


For systems  
1 - 11 (except 3)

For systems  
1 - 11 (except 3)

For system  
3

## Surface (please tick or fill in)



## Structural cladding at top (please tick)



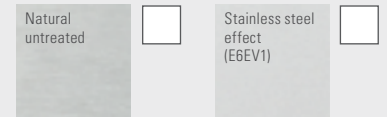
For systems  
1 - 11

For systems  
2.A-2.C, 4, 7, 8, 10

For systems  
1, 2.A-2.C, 4, 5

For systems  
1-11

## Structural cladding at bottom Surface (please tick)



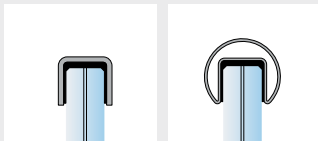
## Handrail (please tick)

### Load-distributing

#### Stainless steel

U 30 x 27 mm

Grooved pipe



1.4301

Ø 42.4 mm

1.4404

Ø 48.3 mm

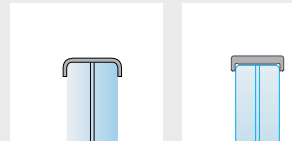
### Glass edge guard

#### Stainless steel

Height 6 mm

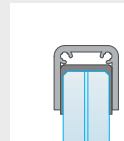
#### Aluminium

Height 6 mm



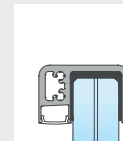
#### Aluminium U-profile

U 30 x 30 mm



#### LED handrail

U 42 x 27 mm

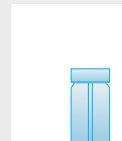


#### U 37 x 27 mm



#### BALARDO

firstglass



## Accessories

Assembly tool

Spirit level

Connecting pins

Threadlocker

Filler pane

Glass spacer

Splice plates

Shims

M10 \_\_\_\_\_ Units

10 mm \_\_\_\_\_ Units

for outer trim

1 mm \_\_\_\_\_ Units

M12 \_\_\_\_\_ Units

15 mm \_\_\_\_\_ Units

for inner trim

2 mm \_\_\_\_\_ Units

Hilti-HIT injection mortar

20 mm \_\_\_\_\_ Units

5 mm \_\_\_\_\_ Units

# GLASSLINE

## **GLASSLINE GmbH**

Industriestrasse 7-10

74740 Adelsheim

Phone +49 (0) 6291 6259-0

Fax +49 (0) 6291 6259-11

info@glassline.de

**www.glassline.de**

System solutions for sophisticated frameless glass architecture as well as secure attachment of fixtures to ETICS.

As a leading supplier, GLASSLINE develops, manufactures and sells high-quality system solutions in the fields of point fixing systems, all-glass balustrades, frameless canopy constructions and systems with thermal separation for securely fastening add-on elements to building shells.

Copyright 2022 by GLASSLINE GmbH · February 2022 edition · Subject to technical changes  
We accept no liability for printing errors and mistakes.

· All drawings are example applications. The company GLASSLINE accepts no guarantee or liability for a transferrable application.  
· Technical and design changes are reserved.  
· Secure all bolted connections permanently against loosening, e.g. by bonding.  
· The project-specific application as well as the certificates for load introduction and load transfer are to be checked or made on site.

